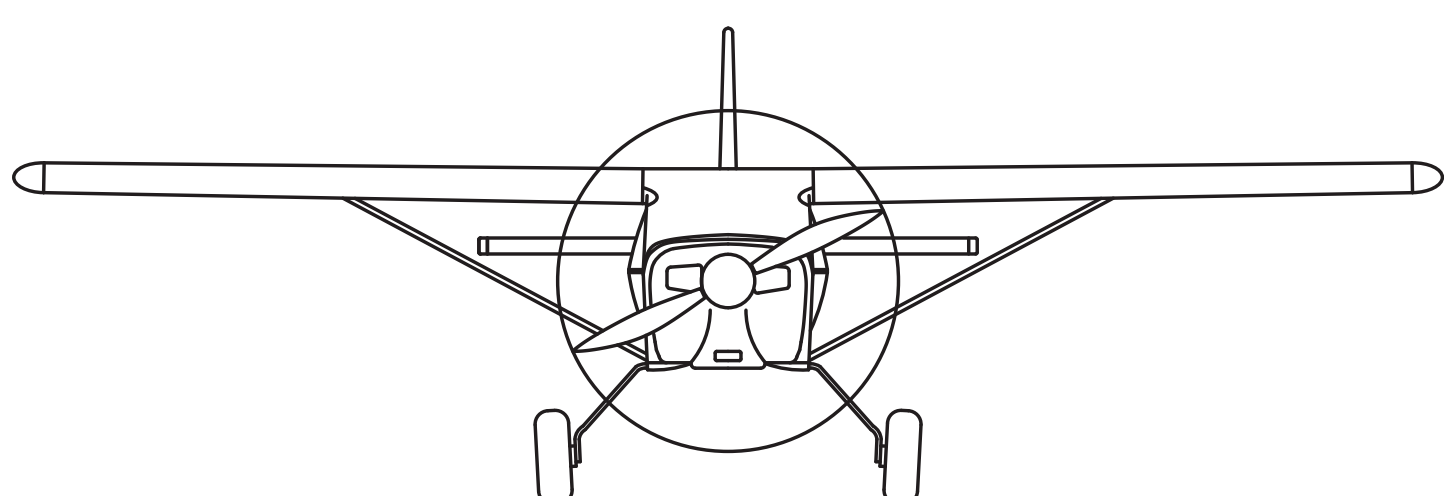
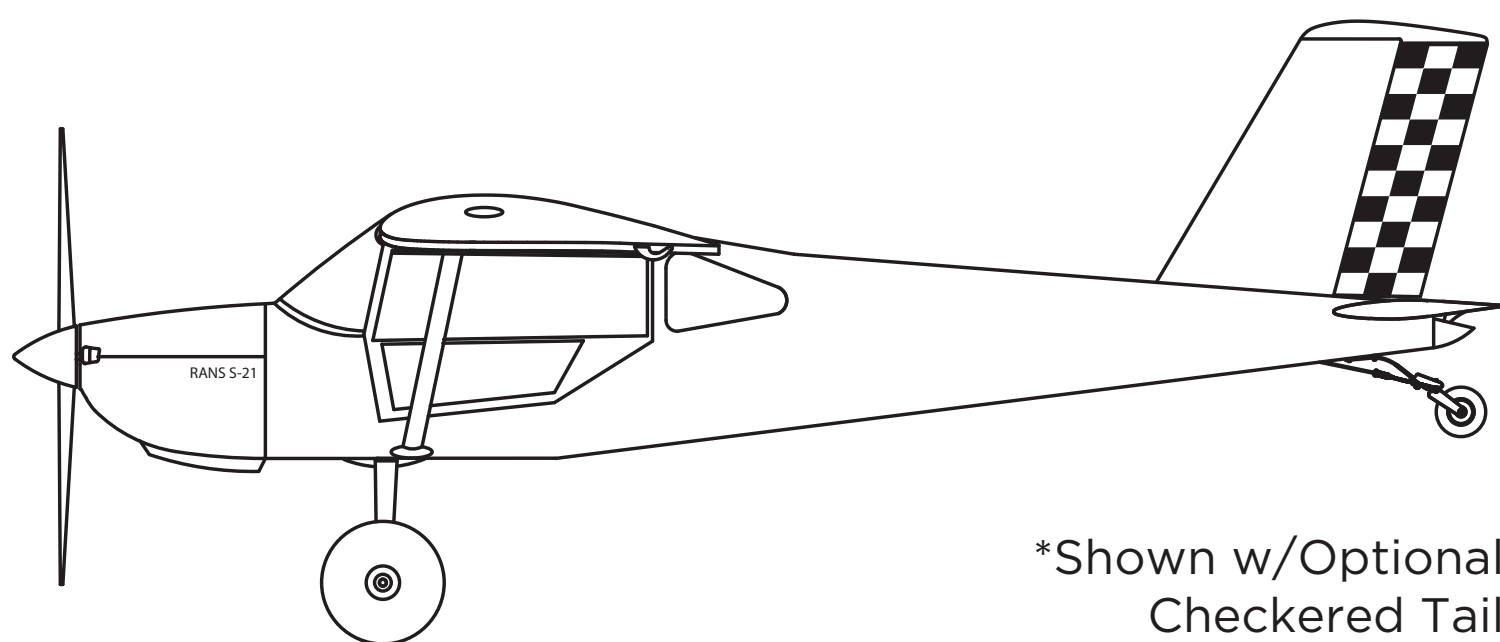
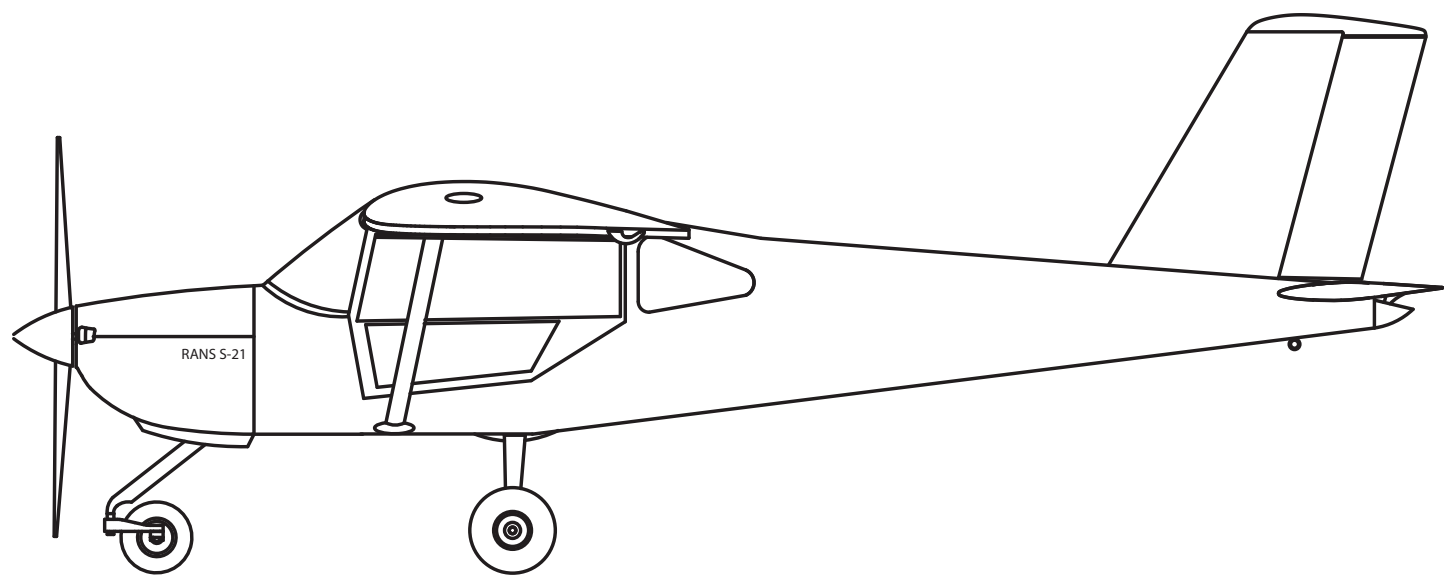
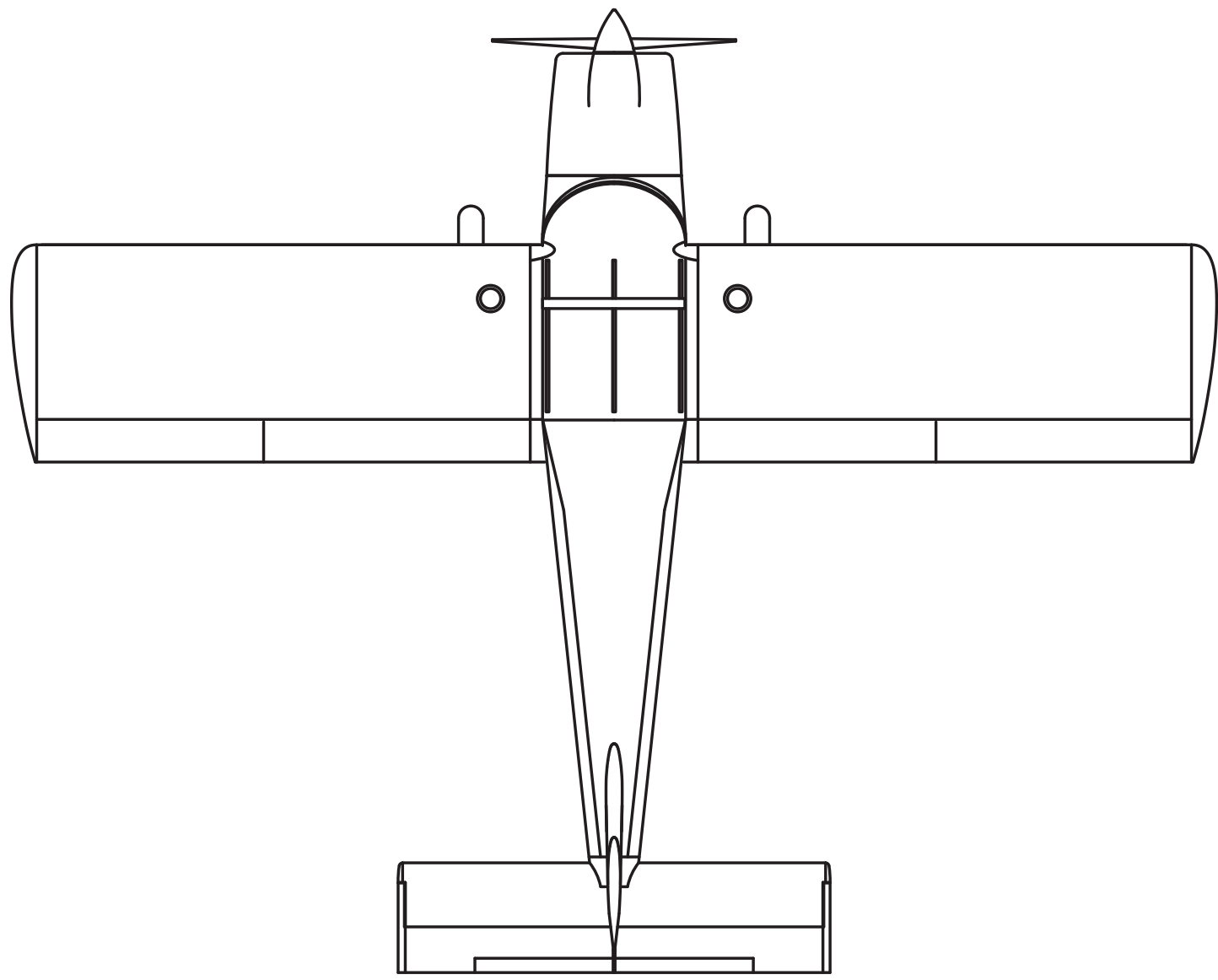


# S-21 OUTBOUND

All metal, all purpose.



## ROTAX 915iS SPECS AND PERFORMANCE

### SPECIFICATIONS

141 HP

4 Stroke Piston, Liquid and Air Cooled Cylinders

Redundant Electronic Fuel Injection and Ignition

Turbo Charged

Engine Management System (EMS)

Propeller Speed Reduction Gear Box

Intercooler Equipped

Baggage Capacity 120 lbs

Fuel 91 Octane/100LL

Fuel Capacity 44.9 gal

### PROPELLER

Propeller Diameter 72 in

AirMaster Electric CS

WhirlWind Gr. Adj.

### WEIGHTS & LOADINGS

Gross Weight EAB 1800 lbs.

Gross Weight SLSA 1320 lbs.

Empty Weight 915 lbs.

Useful Load EAB 885 lbs.

Useful Load SLSA 405 lbs.

### PERFORMANCE

Take Off Roll 315 ft

Service Ceiling 18,000 ft

Vc 145 mph TAS

Vne 215 mph

Stall Clean 50 mph

Stall Flaps 40 mph

Endurance\*\* 5 hrs

\*\* Plus .5 hr. reserve