

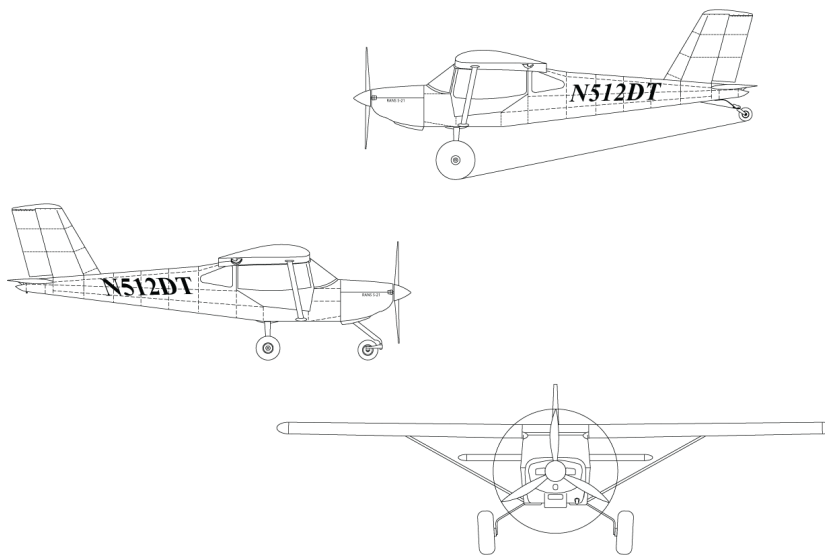
RANS

AIRCRAFT

S-21 OUTBOUND

ROTAX 916iS Installation

PARTS MANUAL



Serial Number:

Registration Number:

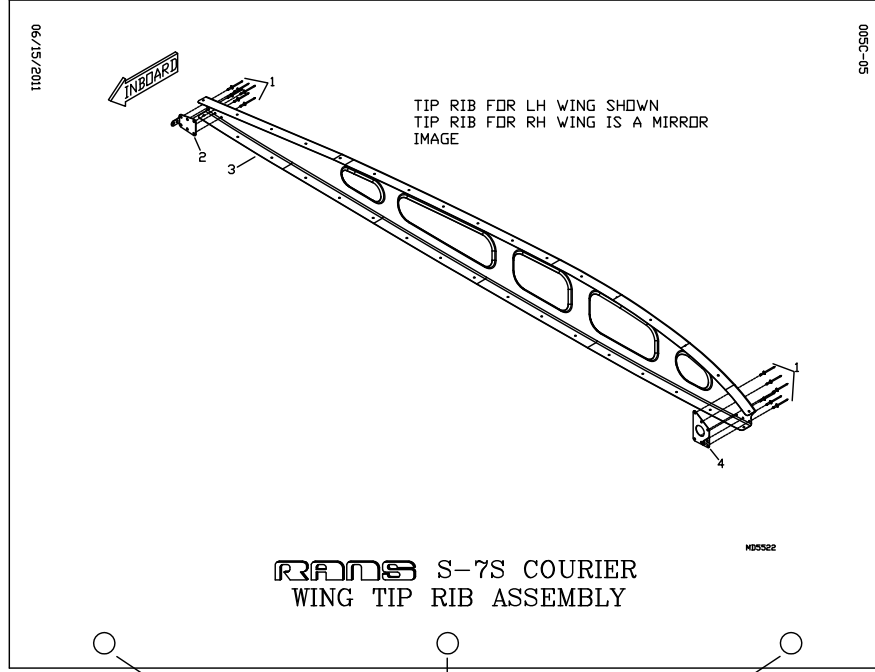
COPYRIGHT ©

RANS DESIGNS
4600 HWY 183 Alt
HAYS, KANSAS, USA 67601
785-625-6346
www.rans.com

STEP 1:

PARTS MANUAL AS SHIPPED or PRINTED.
PLACE IN 3-RING BINDER TO SECURE.

PARTS DRAWING PAGE



3-HOLE PUNCH

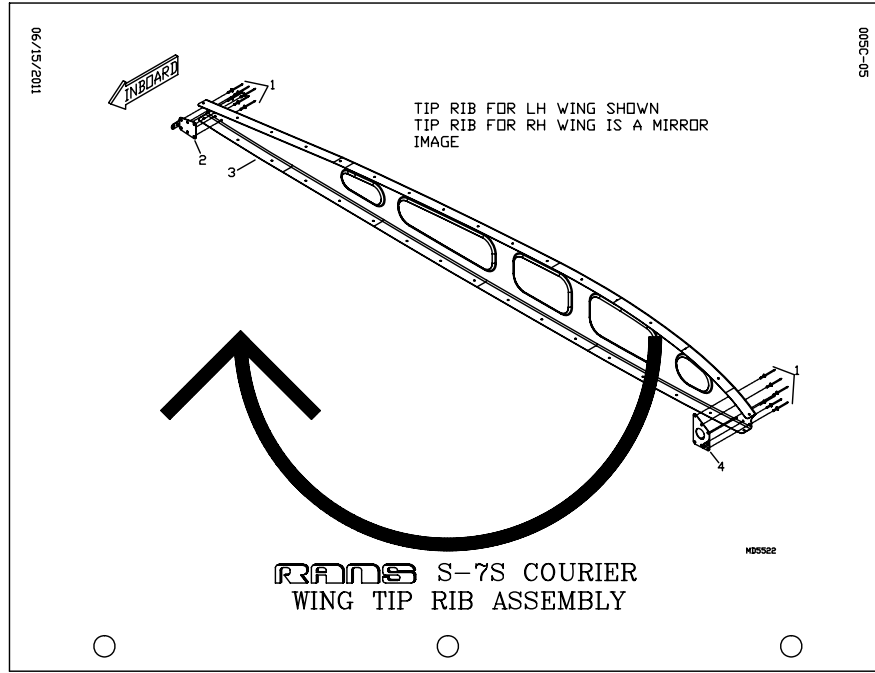
EXAMPLE ONLY.
MAY NOT REPRESENT ACTUAL PAGES
FROM YOUR MANUAL.

SEE NEXT PAGE

STEP 2:

OPEN 3-RING BINDER.
REMOVE PARTS DRAWING PAGE AND
ROTATE 180° TO FACE
CORRESPONDING
PARTS DESCRIPTION PAGE.
REPEAT FOR REMAINING PAGES

PARTS DRAWING PAGE



PARTS DESCRIPTION PAGE

PAGE 005C-06

S-7S COURIER - WING - TIP RIB ASSEMBLY

# DESCRIPTION	PART NUMBER	QUANTITY
1. 1/8" ALUMINUM RIVET	AAQC-41	24
2. RIB CLIP TRAILING EDGE - LH	KPW0372-L	4
2. RIB CLIP TRAILING EDGE - RH	KPW0372-R	4
3. WING TIP RIB - LH	KPW0544-L	1
3. WING TIP RIB - RH	KPW0544-R	1
4. RIB CLIP LEADING EDGE - LH	KPW0373-L	1
4. RIB CLIP LEADING EDGE - RH	KPW0373-R	1

6/15/2011

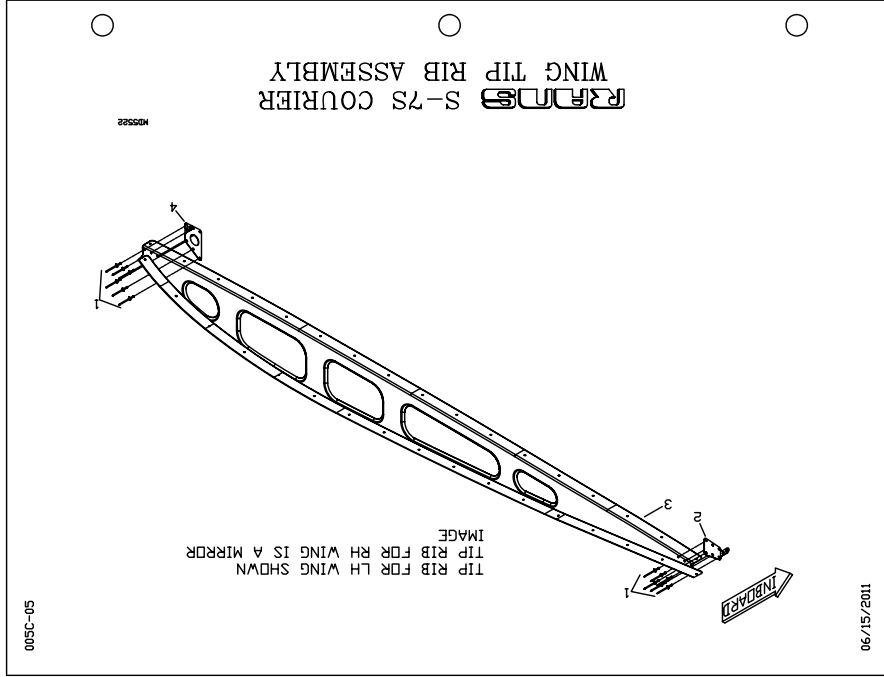
EXAMPLE ONLY.
MAY NOT REPRESENT ACTUAL PAGES
FROM YOUR MANUAL.

SEE NEXT PAGE

STEP 3:

PARTS DRAWING PAGE
 FACES CORRESPONDING
 PARTS DESCRIPTION PAGE
 WHEN FINAL SECURED IN
 BINDER

PARTS DRAWING PAGE



PARTS DESCRIPTION PAGE

PAGE 005C-06

S-75 COURIER - WING - TIP RIB ASSEMBLY

#	DESCRIPTION	PART NUMBER	QUANTITY
1.	1/8" ALUMINUM RIVET	AAPQ-41	24
2.	RIB CLIP TRAILING EDGE - LH	KPW0372-L	4
2.	RIB CLIP TRAILING EDGE - RH	KPW0372-R	1
3.	WING TIP RIB - LH	KPW0544-L	1
3.	WING TIP RIB - RH	KPW0544-R	1
4.	RIB CLIP LEADING EDGE - LH	KPW0373-L	1
4.	RIB CLIP LEADING EDGE - RH	KPW0373-R	1

6/15/2011

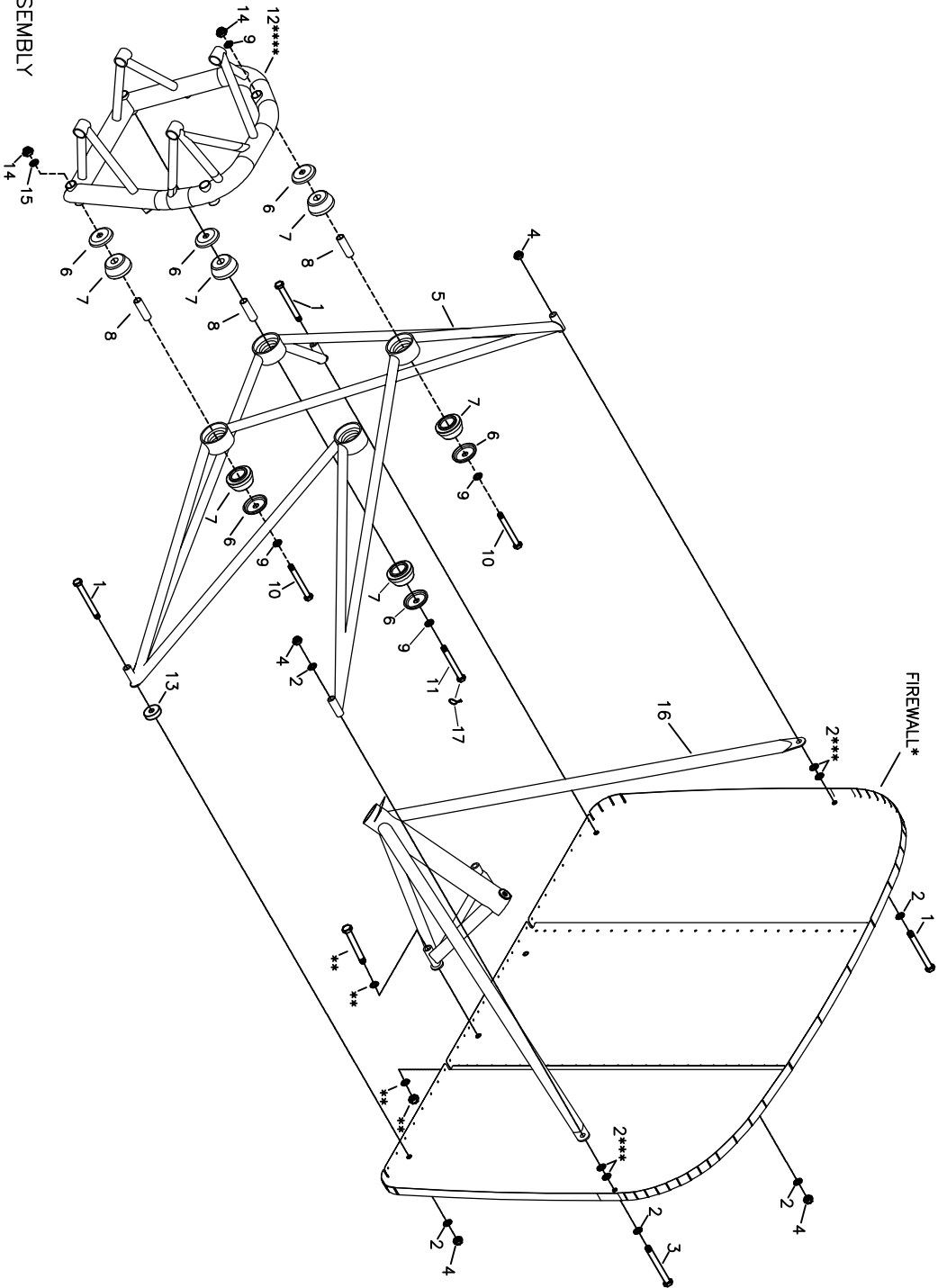
EXAMPLE ONLY.
 MAY NOT REPRESENT ACTUAL PAGES
 FROM YOUR MANUAL.

RANS S-21 OUTBOUND - ROTAX 916iS

PARTS MANUAL

TABLE OF CONTENTS

ROTAX 916iS - ENGINE MOUNT INSTALLATION.....	011-01 / 916iS
ROTAX 916iS - FIREWALL ITEMS INSTALLATION.....	011A-01 / 916iS
ROTAX 916iS - ENGINE ELECTRICAL ACCESSORY INSTALLATION.....	011A-03 / 916iS
ROTAX 916iS - OPTIONAL BATTERY BOX ASSEMBLY AND INSTALLATION.....	011A-05 / 916iS
ROTAX 916iS - OPTIONAL EARTH BATTERY BOX ASSEMBLY AND INSTALL.....	011A-07 - 916iS
ROTAX 916iS - FUSE BOX AND PCV INSTALLATION.....	011A-09 / 916iS
ROTAX 916iS - ENGINE ELECTRICAL.....	011A-11 / 916iS
ROTAX 916iS - FUEL SYSTEM INSTALLATION - FIREWALL FORWARD.....	011B-01 / 916iS
ROTAX 916iS - FUEL SYSTEM - HEADER TANK.....	011B-03 / 916iS
ROTAX 916iS - FUEL PUMP ASSEMBLY.....	011B-05 / 916iS
ROTAX 916iS - FUEL PUMP/FILTER INSTALLATION.....	011B-07 / 916iS
ROTAX 916iS - FUEL SYSTEM - FUSELAGE.....	011B-09 / 916iS
ROTAX 916iS - OIL COOLER & RADIATOR MOUNT INSTALLATION.....	011C-01 / 916iS
ROTAX 916iS - LUBRICATION SYSTEM INSTALLATION.....	011C-03 / 916iS
ROTAX 916iS - COOLING SYSTEM INSTALLATION.....	011C-05 / 916iS
ROTAX 916iS - DUAL CABIN HEATER INSTALLATION - RADIANT.....	011C-07 / 916iS
ROTAX 916iS - INTERCOOLER INSTALLATION.....	011C-09 / 916iS
ROTAX 916iS - INDUCTION SYSTEM INSTALLATION.....	011C-11 / 916iS
ROTAX 916iS - THROTTLE ASSEMBLY.....	011D-01 / 916iS
ROTAX 916iS - EXHAUST BRACE INSTALLATION.....	011D-03 / 916iS
ROTAX 916iS - COWLING ASSEMBLY AND INSTALLATION.....	011E-01 / 916iS
ROTAX 916iS - OIL CHECK DOOR INSTALLATION.....	011E-03 / 916iS
ROTAX 916iS - OPTIONAL AIRMASTER PROPELLER INSTALLATION.....	011F-05 / 916iS
ROTAX 916iS - OPTIONAL REMOTE CHARGING POST INSTALLATION.....	011G-01 / 916iS



* REFER TO BOOT COWL ASSEMBLY FOR FIREWALL ASSEMBLY.

** REFER TO TRIKE - NOSE GEAR INSTALL

*** TAILDRAGGER ONLY

**** SUPPLIED WITH ENGINE

RRRPM S-21 OUTBOUND
 ROTAX 916iS
 ENGINE MOUNT INSTALLATION

MD5657
 REV. - ORIG

RANS S-21 OUTBOUND
ROTAX 916iS - ENGINE MOUNT INSTALLATION

PAGE 011-02/916iS

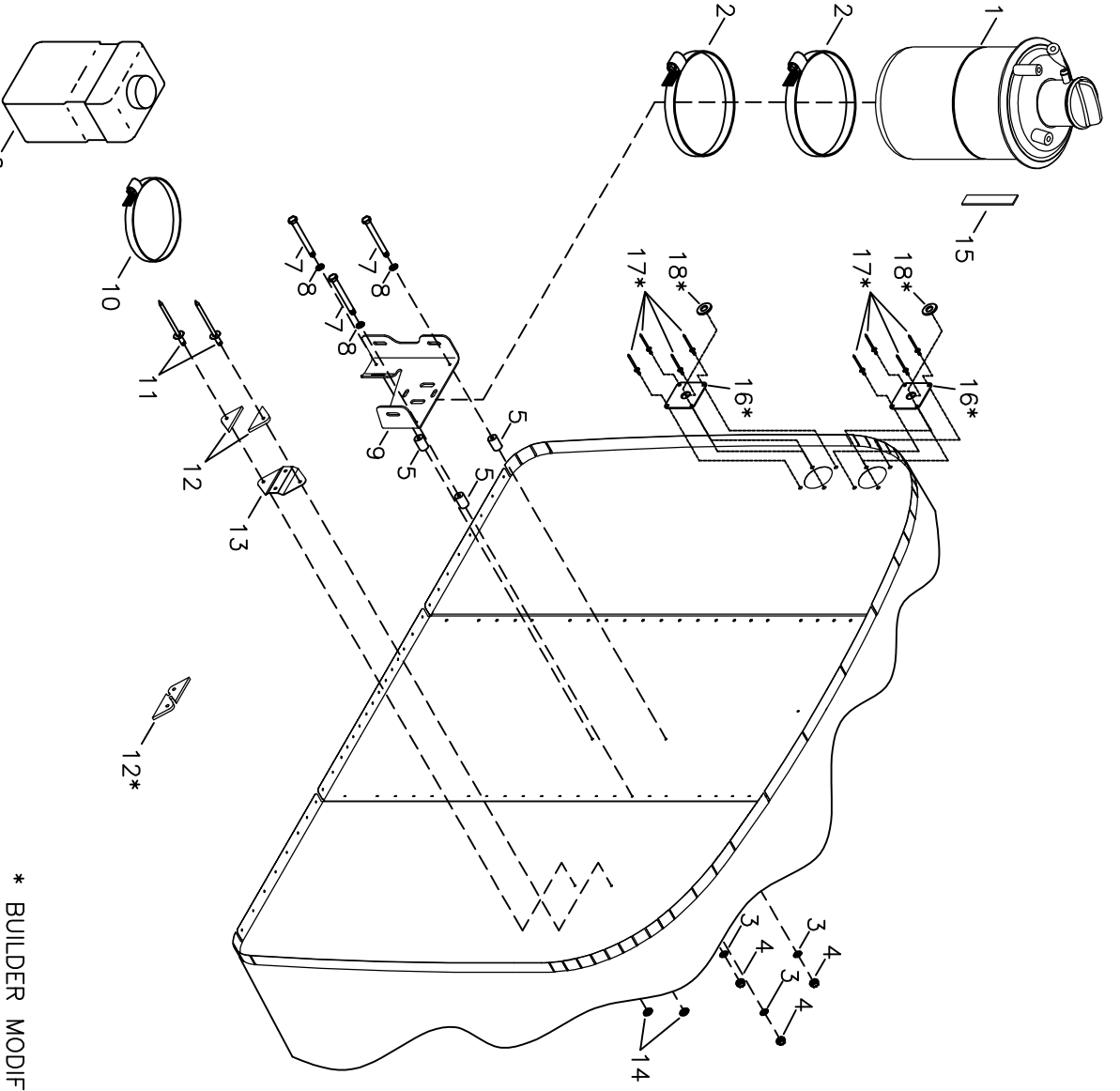
#	DESCRIPTION	PART NUMBER	QUANTITY
1.	5/16" Bolt	AN5-35A	3
2.	5/16" Thick Washer	AN960-516	10
3.	5/16" Bolt	AN5-34A	1
4.	5/16" Tensile Nut	AN365-524A	4
5.	Engine Mount	KAPW0060	1
6.	Cup Washer	KPPW0299	8
7.	Engine Mount Rubber Isolator	KPPW0298	8
8.	Bushing	KPPW0294	4
9.	3/8" Thick Washer	AN960-616	6
10.	3/8" Bolt	AN6-40A	3
11.	3/8" Bolt - Drilled Head	AN6H-40A	1
12.	Engine Suspension Frame*	KSPW0099	0
13.	Engine Mount Spacer	KPAC0279	2
14.	3/8" Tensile Nut	AN363-624A	3
15.	3/8" Thin Washer	AN960-616L	1
16.	Nose Gear Mount - Rotax (Trike Only)	KAPW0075	1
17.	Safety Wire **	----	0

*Supplied with Engine

**Builder Supplied

5/8/2024

* AMP STANDARD SQUARE FLANGE
24 PIN RECEPTACLE & PLUG
MAY ALSO BE USED



* BUILDER MODIFIES

ROTAX S-21 OUTBOUND
ROTAX 916iS
FIREWALL ITEMS INSTALLATION

MD5657
REV. - ORIG

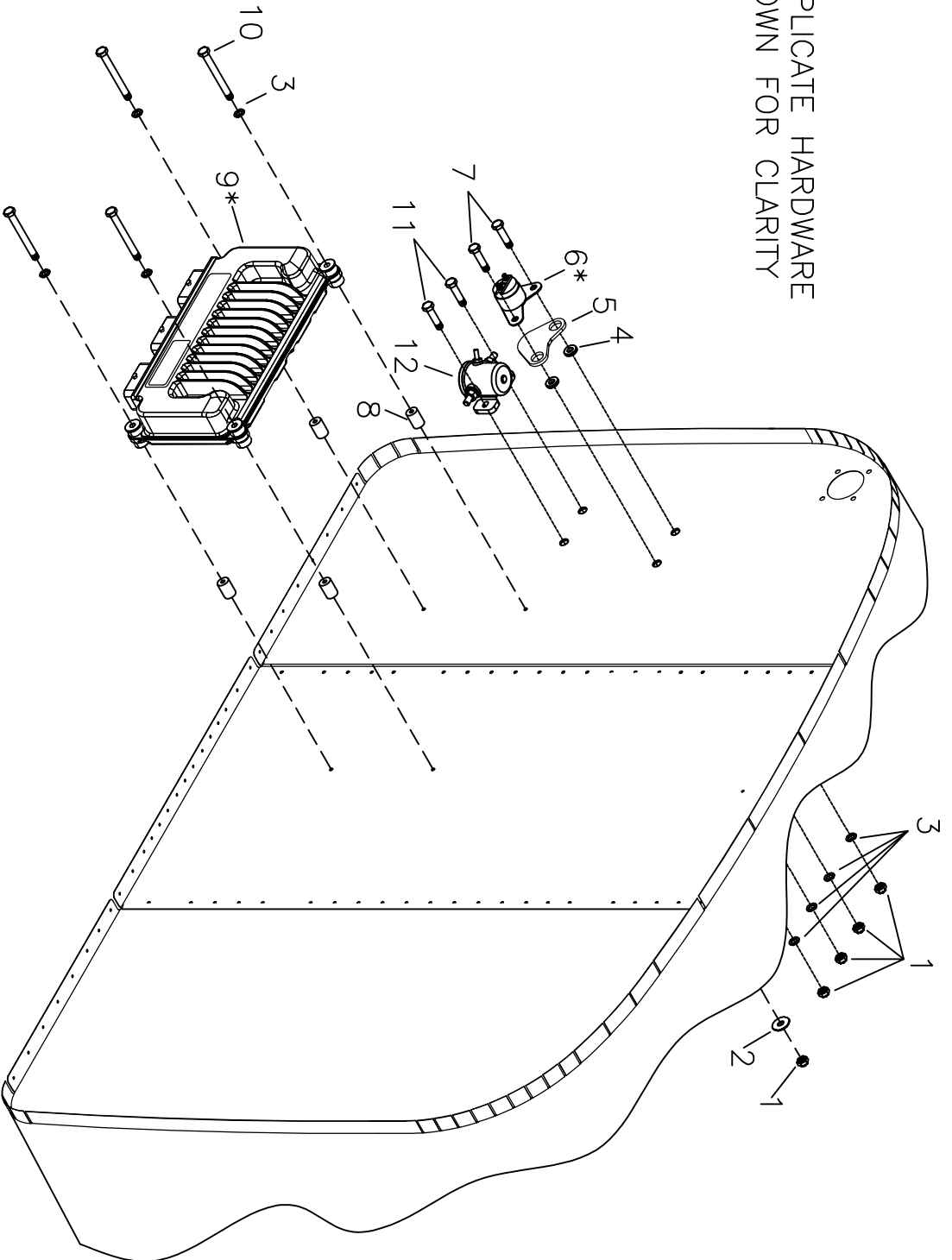
RANS S-21 OUTBOUND
ROTAX 916iS - FIREWALL ITEMS INSTALLATION

#	DESCRIPTION	PART NUMBER	QUANTITY
1.	Oil Tank *	----	0
2.	Hose Clamp - 6"	5-5288	2
3.	3/16" Large Washer	AN970-3	3
4.	3/16" Tensile Nut	AN365-1032A	3
5.	Raw Stock - 3/8" x .095" Aluminum Tube	KPST0132	1
5.	3/8" x .095" x 1/2" Aluminum Bushing **	KPST0132	0
6.	Overflow Bottle	KSPW0072	1
7.	3/16" Bolt	AN3-10A	3
8.	3/16" Thin Washer	AN960-10L	3
9.	Oil Bottle Mount	KPPW0261	1
10.	Hose Clamp - 4"	5-5256	1
11.	1/8" Stainless Steel Rivet - Cherry Q	CCPQ-44	2
12.	Spacer Shim - Mount Bracket	KPPW0230	1
13.	Mount Bracket - Coolant Recovery Bottle	KPPW0231	1
14.	1/8" Small Brass Washer	AN960-B4	2
15.	1" Black Foam Tape	KSAC0011	3 in.
16.	.025" Sheet (2" x 2") **	KAAC0042-12	2
17.	3/16" Stainless Steel Rivet	CCPQ-62	8
18.	Rubber Grommet	MS35489-17	2

*Supplied with Engine

**Builder must fabricate from raw stock

SOME DUPLICATE HARDWARE
NOT SHOWN FOR CLARITY



* SUPPLIED WITH ENGINE

ROTAX S-21 OUTBOUND

ROTAX 916iS

ENGINE ELECTRICAL ACCESSORY INSTALLATION

RANS S-21 OUTBOUND

ROTAX 916iS - ENGINE ELECTRICAL ACCESSORY INSTALLATION

PAGE 011A-04/916iS

#	DESCRIPTION	PART NUMBER	QUANTITY
1.	3/16" Shear Nut	AN364-1032A	8
2.	3/16" Large Washer	AN970-3	4
3.	3/16" Thin Washer	AN960-10L	8
4.	3/16" Rubber Grommet	KSAC0002	2
5.	Starter Relay Isolator Plate	KPES0032	1
6.	Starter Solenoid *	----	0
7.	3/16" Bolt	AN3-5A	2
8.	3/8" x .095" x 1/2" Aluminum Bushing **	KPST0132	0
9.	Engine Control Unit *	----	0
10.	3/16" Bolt	AN3-16A	4
11.	3/16" Bolt	AN3-4A	2
12.	Master Solenoid	KSPW0140	1

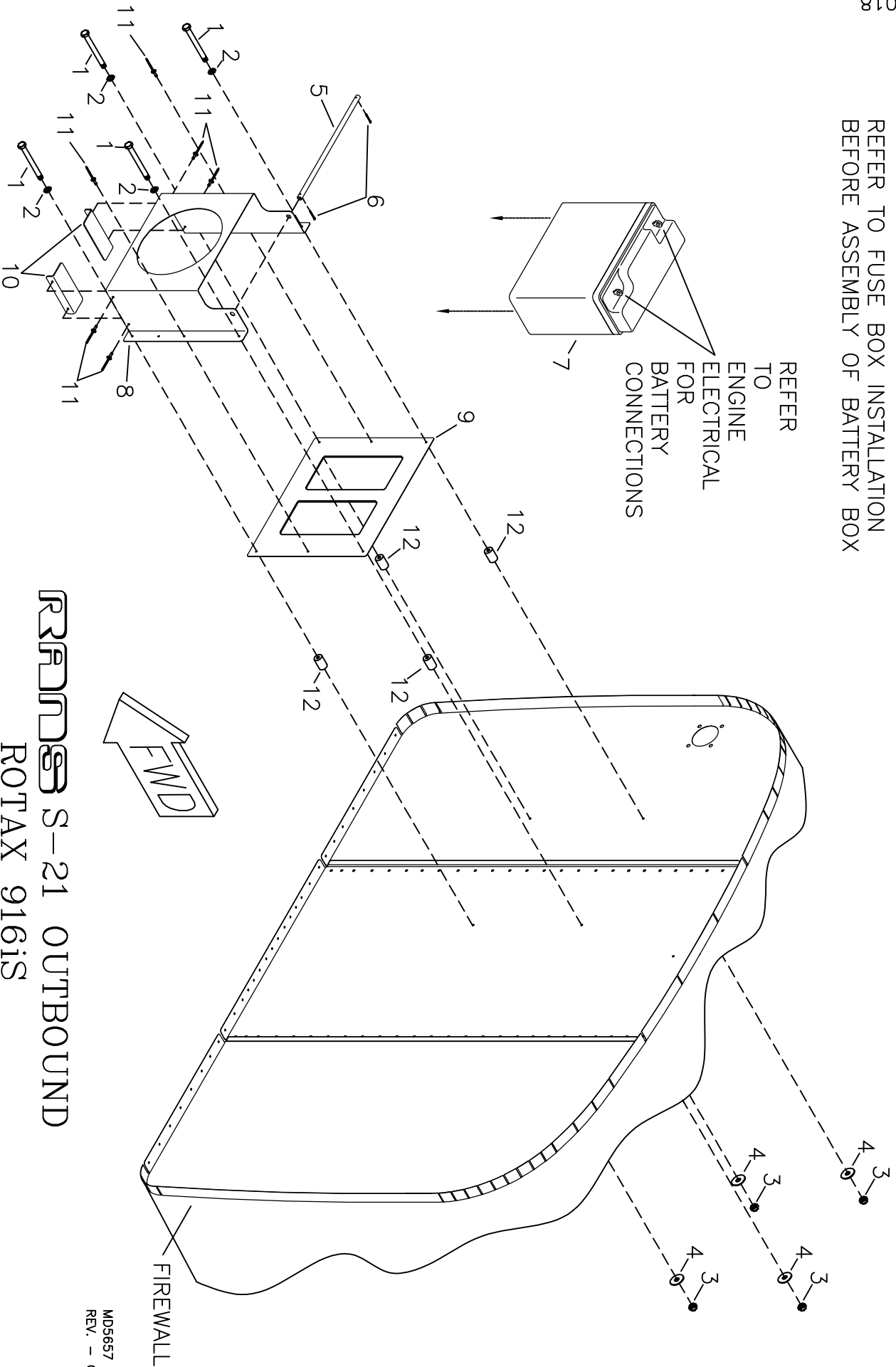
*Supplied with Engine

**Builder must fabricate from raw stock

5/8/2024

REFER TO FUSE BOX INSTALLATION BEFORE ASSEMBLY OF BATTERY BOX

REFER TO ENGINE ELECTRICAL FOR BATTERY CONNECTIONS



ROTAX S-21 OUTBOUND

ROTAX 916iS

OPTIONAL BATTERY BOX ASSEMBLY AND INSTALLATION

MDS657
REV. - ORIG

RANS S-21 OUTBOUND

ROTAX 916iS - OPTIONAL BATTERY BOX ASSEMBLY AND INSTALLATION

PAGE 011A-06/916iS

#	DESCRIPTION	PART NUMBER	QUANTITY
1.	3/16" Bolt	AN3-10A	4
2.	3/16" Thin Washer	AN960-10L	4
3.	3/16" Shear Nut	AN364-1032A	4
4.	3/16" Large Washer	AN970-3	4
5.	Battery Bar *	BAT-BAR-503/582	1
6.	Small Cotter Pin	MS24665-134	2
7.	Battery **	PS12150-NB	0
8.	Battery Box Front Plate	BAT-BOX-1	1
9.	Battery Box Mount Plate	BAT-BOX-2	1
10.	Battery Box Support Angle	BAT-BOX-3	2
11.	1/8" Stainless Steel Rivet - Cherry Q	CCPQ-42	6
12.	3/8" x .058" x 1/2" Aluminum Bushing ***	KAAC0044-3	1

* Builder Modifies

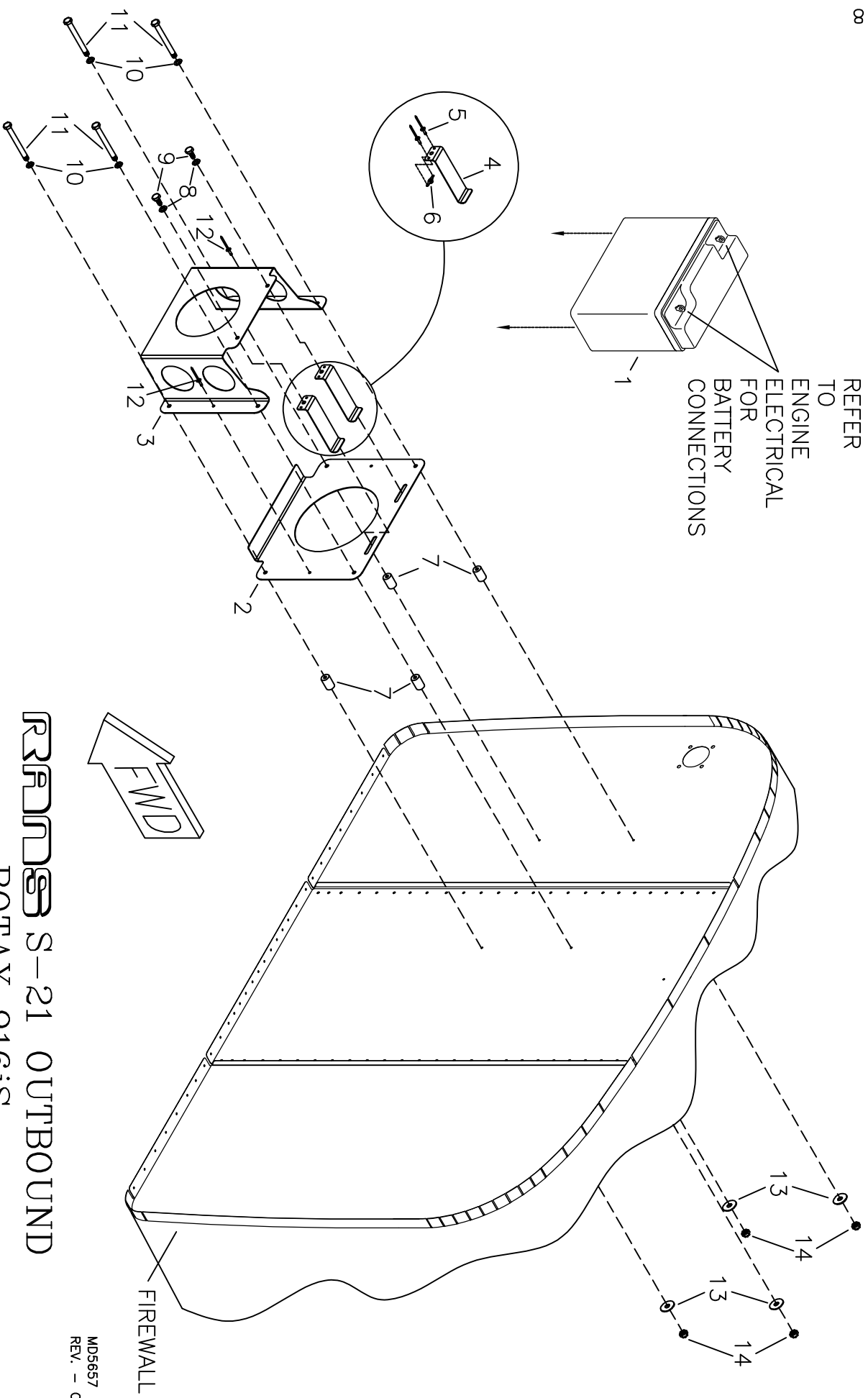
** May be purchased seperately, call RANS Parts Dept. for pricing.

*** Fabricate from Raw Stock

5/8/2024

REFER TO FUSE BOX INSTALLATION BEFORE ASSEMBLY OF BATTERY BOX

REFER TO ENGINE ELECTRICAL FOR BATTERY CONNECTIONS



OPTIONAL EARTH X BATTERY BOX ASSEMBLY AND INSTALLATION

ROTAX S-21 OUTBOUND

ROTAX 916iS

MDS657
REV. - ORIG

RANS S-21 OUTBOUND

ROTAX 916iS - OPTIONAL EARTH X BATTERY BOX ASSEMBLY AND INSTALLATION

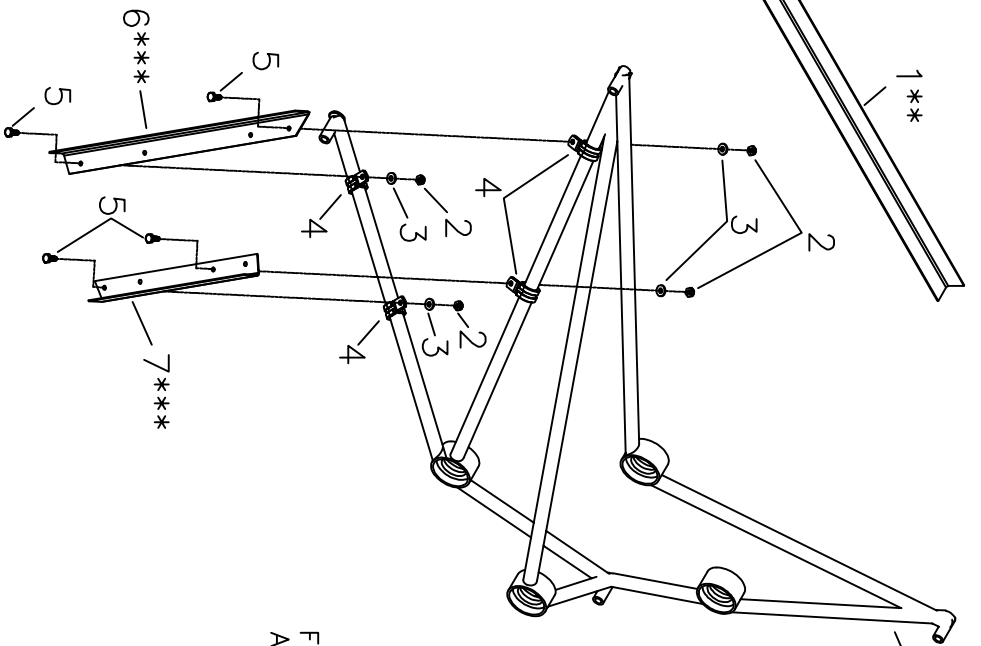
PAGE 011A-08/916iS

#	DESCRIPTION	PART NUMBER	QUANTITY
1.	EarthX Battery ETX680 *	KSPW0168	0
2.	EarthX Battery Box Mount Plate	KPES0056	1
3.	EarthX Battery Box Front plate	KPES0057	1
4.	EarthX Battery Box Retainer Clip	KPES0058	2
5.	3/32" Aluminum Rivet	40APR1/8	4
6.	3/16" Nut Plate	K-1000-3	2
7.	3/8" x 058" x 1/2" Aluminum Bushing **	KAAC0044-3	1
8.	3/16" Thick Washer	AN960-10	2
9.	3/16" Bolt	AN3-3A	2
10.	3/16" Thin Washer	AN960-10L	4
11.	3/16" Bolt	AN3-10A	4
12.	1/8" Stainless Steel Rivet - Cherry Q	CCPQ-42	2
13.	3/16" Large Area Washer	AN970-3	4
14.	3/16" Shear Nut	AN364-1032A	4

* May be purchased seperately, call RANS Parts Dept. for pricing

** Builder fabricates from raw stock

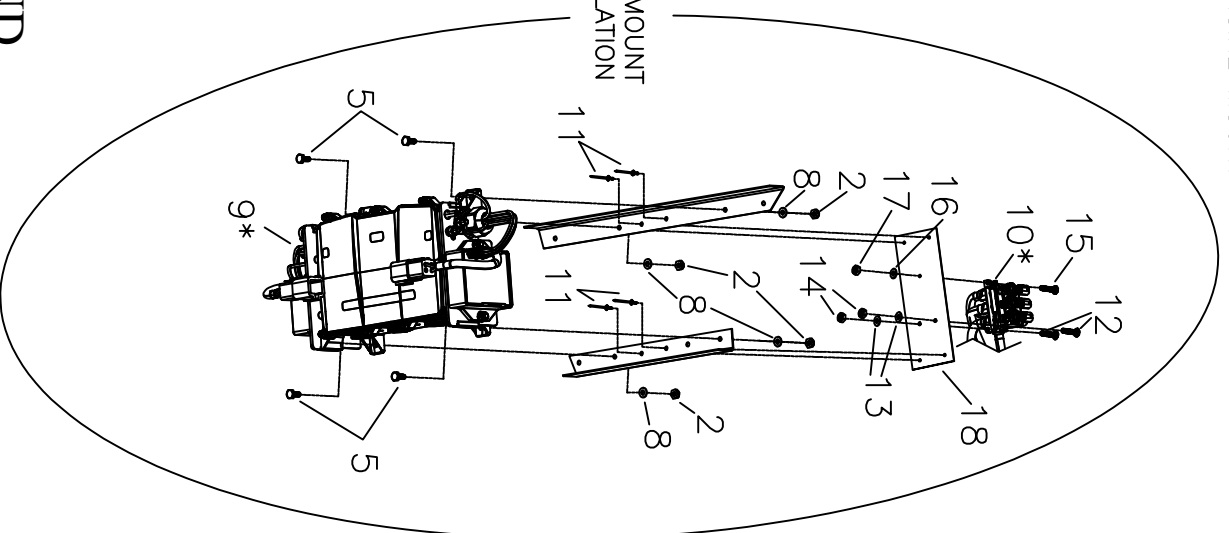
5/8/2024



* SUPPLIED WITH ENGINE
 ** BUILDER MODIFIES
 *** FABRICATE FROM KPIN0096

REFER TO ENGINE MOUNT

FUSE BOX TO MOUNT
 ANGLES INSTALLATION



RPIN0096 S-21 OUTBOUND
ROTAX 916iS
FUSE BOX AND PCV INSTALLATION

MD5657
 REV. - ORIG

RANS S-21 OUTBOUND

ROTAX 916iS - SOLENOID (PCV) VALVE INSTALLATION

PAGE 011A-10/916iS

#	DESCRIPTION	PART NUMBER	QUANTITY
1.	Support Angle - Baggage Compartment **	KPIN0096	1
2.	3/16" Shear Nut	AN364-1032A	8
3.	3/16" Thick Washer	AN960-10	4
4.	5/8" Cushion Clamp	MS21919-DG10	4
5.	3/16" Bolt	AN3-4A	8
6.	Fuse Box Mount Angle - AFT ***	KPIN0096	0
7.	Fuse Box Mount Angle - FWD ***	KPIN0096	0
8.	3/16" Thin Washer	AN960-10L	4
9.	Fuse Box - ROTAX 916iS*	-----	0
10.	Pressure Control Valve *	-----	0
11.	1/8" Aluminum Rivet - Cherry Q	AAPQ-42	4
12.	#8 Pan Head Machine Screw	MS27039-0809	2
13.	#8 Washer	AN960-8	2
14.	#8 Shear Nut	AN364-832A	2
15.	#4 Pan Head Machine Screw	MS35206-218	1
16.	#4 Brass Washer	AN960-B4	1
17.	#4 Shear Nut	AN364-440A	1
18.	Solenoid (PCV) Mount Plate	KPPW0389	1

* Supplied with Engine

**Builder Modifies

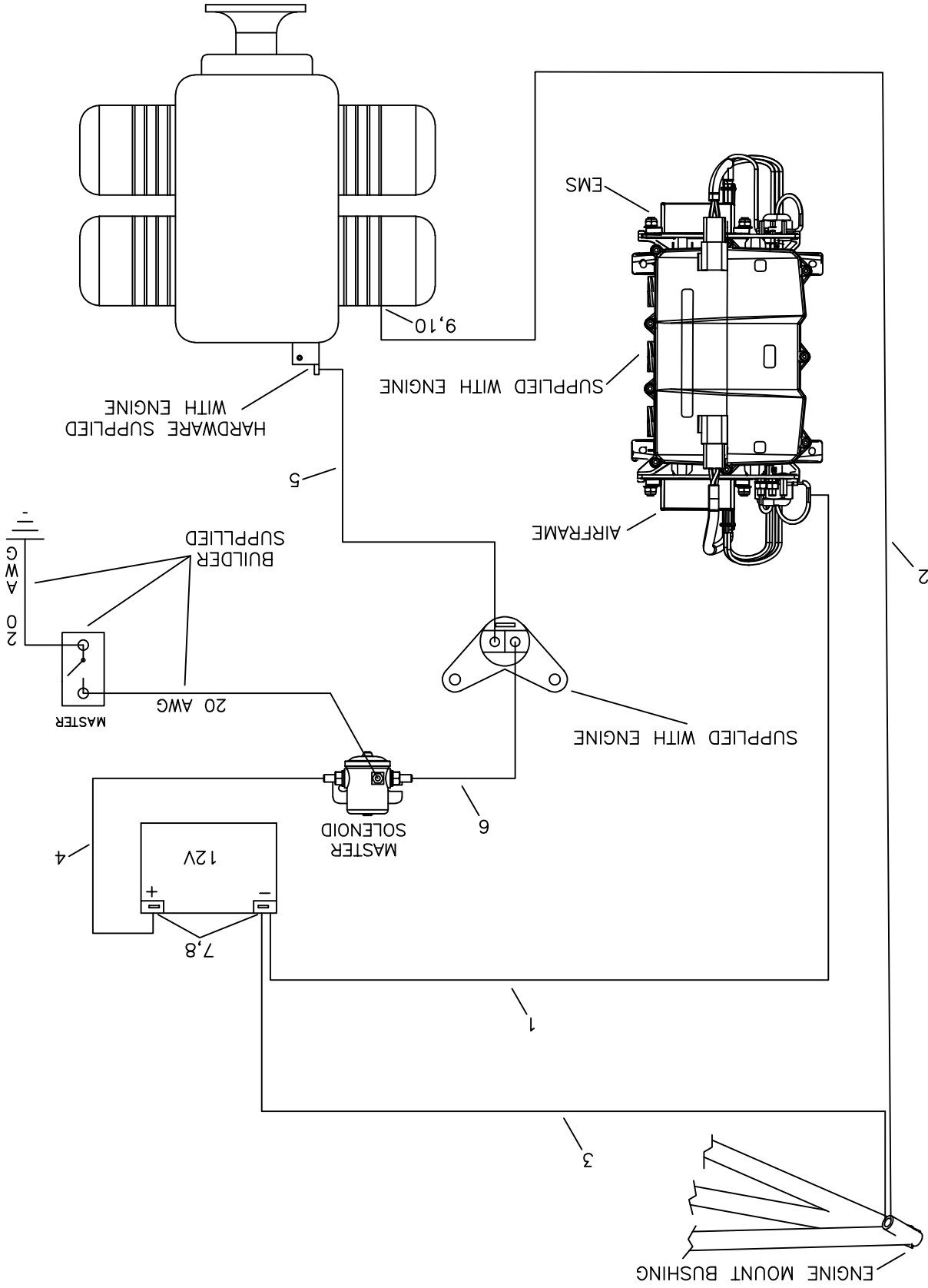
***Fabricate from KPIN0096

5/8/2024

ROTAX 916iS ENGINE ELECTRICAL

MD5657
REV. - ORIG

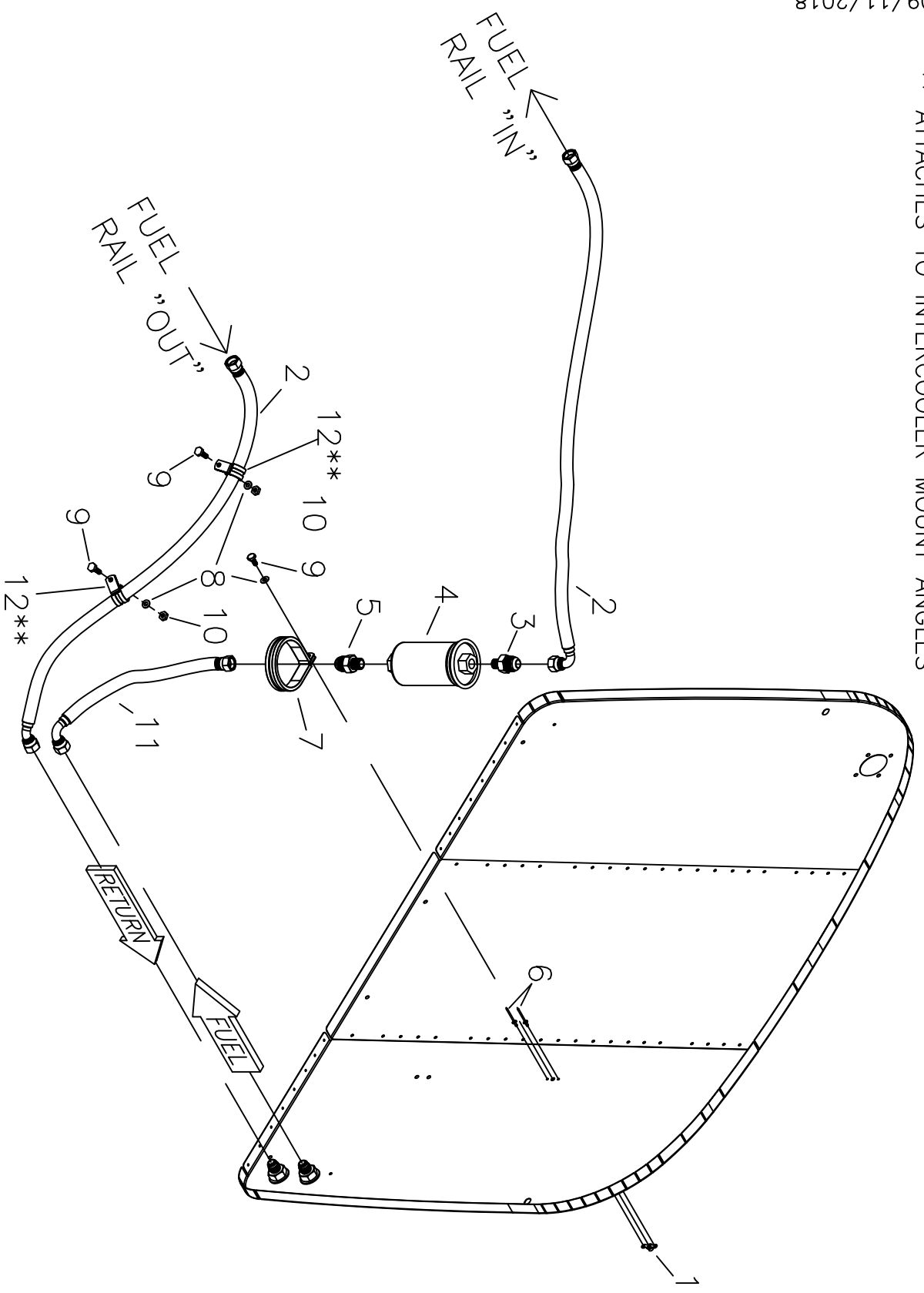
RRMS S-21 OUTBOUND



RANS S-21 OUTBOUND
ROTAX 916iS - ENGINE ELECTRICAL

#	DESCRIPTION	PART NUMBER	QUANTITY
1.	Fuse Box To Battery Ground	KAES0031	1
2.	Engine Mount To Engine Ground	KAES0032	1
3.	Battery Ground To Engine Mount	KAES0030	1
4.	Battery To Master Solenoid	KAES0034	1
5.	Starter Solenoid To Starter	KAES0033	1
6.	Master Solenoid to Starter Solenoid	KAES0035	1
7.	3/16" Shear Nut - Steel	AN364-1032C	2
8.	3/16" Bolt	AN3-3A	2
9.	6MM Bolt	6MMx16	1
10.	Loc Washer	AN935-416L	1

** ATTACHES TO INTERCOOLER MOUNT ANGLES



ROTAX S-21 OUTBOUND
ROTAX 916iS
FUEL SYSTEM INSTALLATION - FIREWALL FORWARD

MDS657
 REV. - ORIG

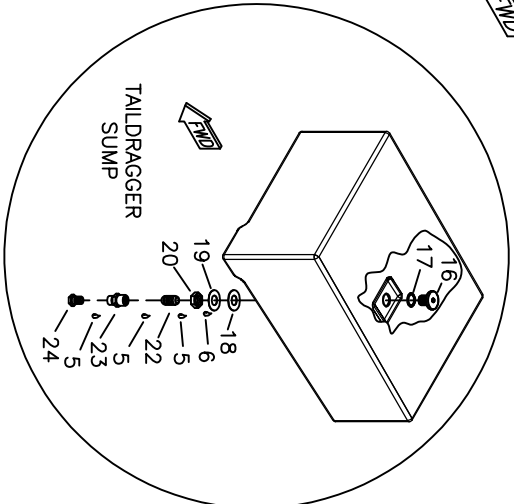
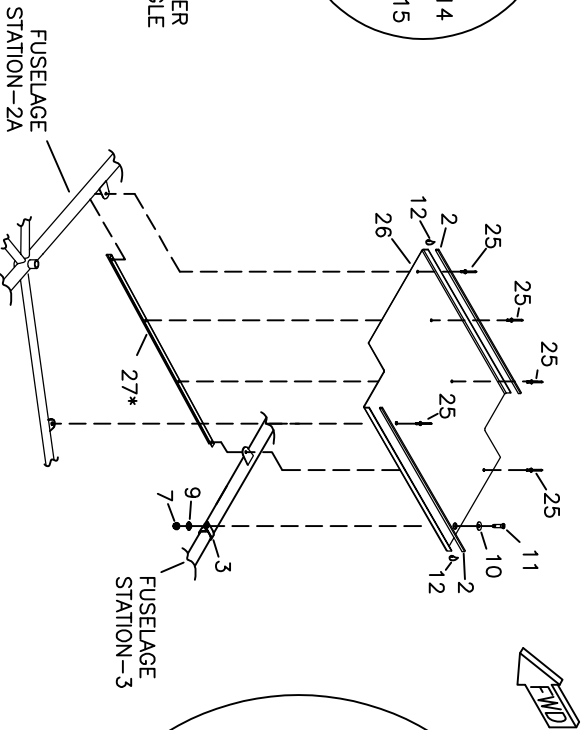
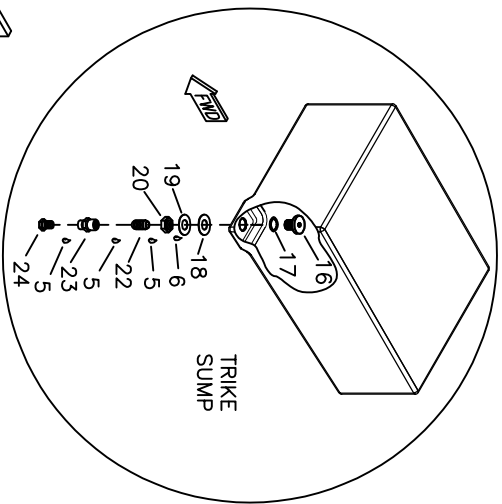
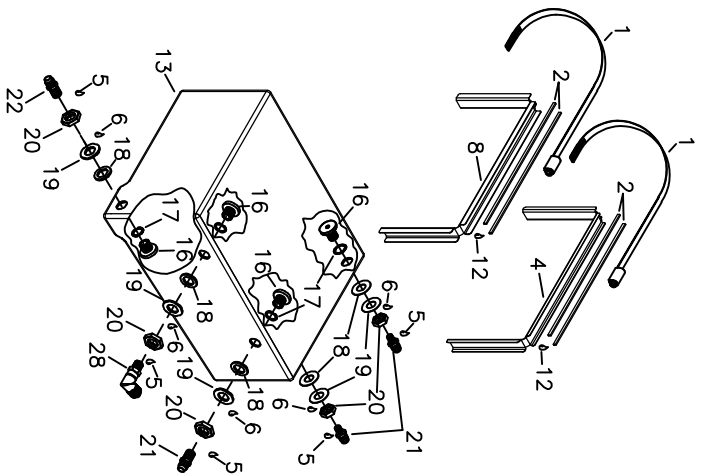
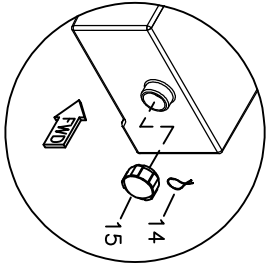
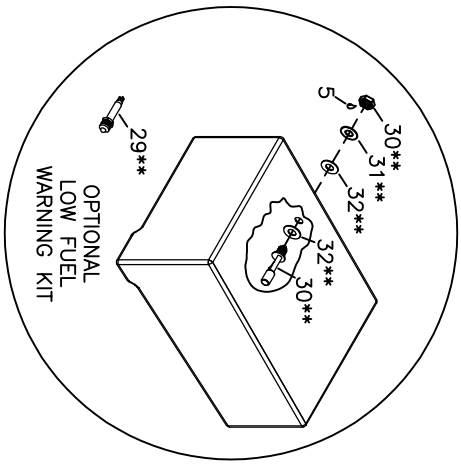
RANS S-21 OUTBOUND
ROTAX 916iS - FUEL SYSTEM - FIREWALL FORWARD

PAGE 011B-02/916iS

#	DESCRIPTION	PART NUMBER	QUANTITY
1.	3/16" Nut Plate	K-1000-3	1
2.	Fuel Line - Fuel Filter to Fuel Rail & Fuel Rail to Return	KSPW0153	2
3.	Straight Fitting, -6AN to 12MM	KSFS0050	1
4.	ROTAX Fuel Filter (874 060)*	----	0
5.	Straight Fitting, -6AN to 14mm	KSFS0049	1
6.	3/32" Aluminum Rivet	40APR 1/8	2
7.	2-3/16" Cushion Clamp	MS21919-WDG35	1
8.	3/16" Thn Washer	AN960-10L	3
9.	3/16" Bolt	AN3-3A	3
10.	3/16" Shear Nut	AN364-1032A	2
11.	Fuel Line - Firewall to Fuel Filter	KSPW0152	1
12.	1/2" Cushion Clamp	MS21919-DG8	2

*Supplied with Engine

5/8/2024



* NOTCH FUSELAGE BOTTOM SKIN STRINGER
TO CLEAR HEADER TANK SUPPORT ANGLE

** LOW FUEL WARNING KIT IS OPTIONAL

SOME DUPLICATE HARDWARE
NOT SHOWN FOR CLARITY

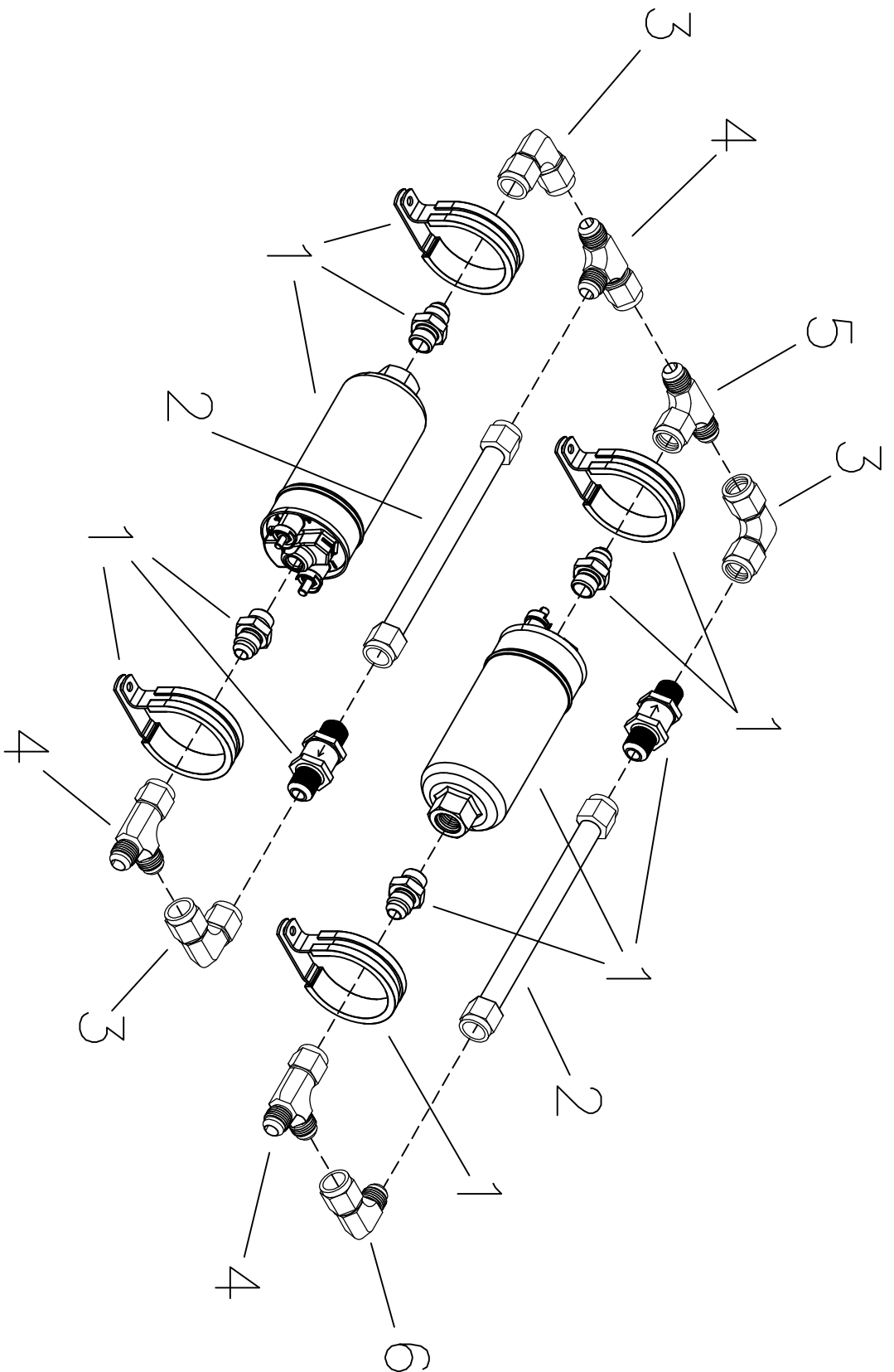
RRANDS-21 OUTBOUNDS
ROTAX 916iS
FUEL SYSTEM - HEADER TANK

RANS S-21 OUTBOUND
ROTAX 916iS - FUEL SYSTEM - HEADER TANK

#	DESCRIPTION	PART NUMBER	QUANTITY
1.	15" Hose Clamp	KSHW0100	2
2.	Rubber Edging	8510K11	7 ft.
3.	5/8" Plain Clamp	AN742-D10	1
4.	6.9 Gal. Header Tank Mount Channel - Aft	KPFS0110	1
5.	Thread Sealant * (Fuel Compatible Sealant, DOW 730, Loctite 567)	----	0
6.	Loctite - Blue *	----	0
7.	3/16" Shear Nut	AN364-1032A	1
8.	6.9 Gal. Header Tank Mount Channel - Fwd	KPFS0111	1
9.	3/16" Thick Washer	AN960-10	1
10.	3/16" Countersunk Washer (100 Degree)	NAS1169-10L	1
11.	3/16" Countersunk Machine Screw (100 Degree)	MS24694-S50	1
12.	Adhesive - Superglue *	----	0
13.	Header Tank - 6.9 Gal.	KPFS0103	1
14.	Safety Wire *	----	0
15.	Fuel Cap	KSFS0007	1
16.	3/4" Bulkhead Fitting	KSFS0037	6
17.	O-Ring - 3/4" Bulkhead	KSFS0039	6
18.	Rubber Washer	KSFS0016	6
19.	3/4" Thick Washer	AN960-1216	6
20.	Nut - 3/4" Bulkhead - Reverse Thread	KSFS0038	6
21.	Nipple - Flared Tube & Pipe Thread	AN816-6D	3
22.	Close Nipple	KSFS0021	2
23.	Reducer	KSFS0022	1
24.	Flush Valve	KSFS0011	1
25.	1/8" Stainless Steel Rivet - Cherry Q	CCPQ-42	5
26.	6.9 Gal Header Tank Mount	KPFS0109	1
27.	Header Tank Mount Angle	KPFU0758	1
28.	Nipple - Flared Tube & Pipe Thread - 90 Degree Swivel	KSFS0051	1
29.	Red LED Indicator Light, 12V **	KSES0071	1
30.	Low Fuel Warning Switch **	KSES0072	1
31.	5/8" Thick Washer (AN960-1016) **	TW-5/8-W	1
32.	5/8" Rubber Washer **	KSFS0040	2

*Builder Supplied

** KAFS0003 - Low Fuel Warning Kit is Optional



ROTAX S-21 OUTBOUND
ROTAX 916IS
FUEL PUMP ASSEMBLY

MD5657
REV. - ORIG

RANS S-21 OUTBOUND
ROTAX 916iS - FUEL PUMP ASSEMBLY

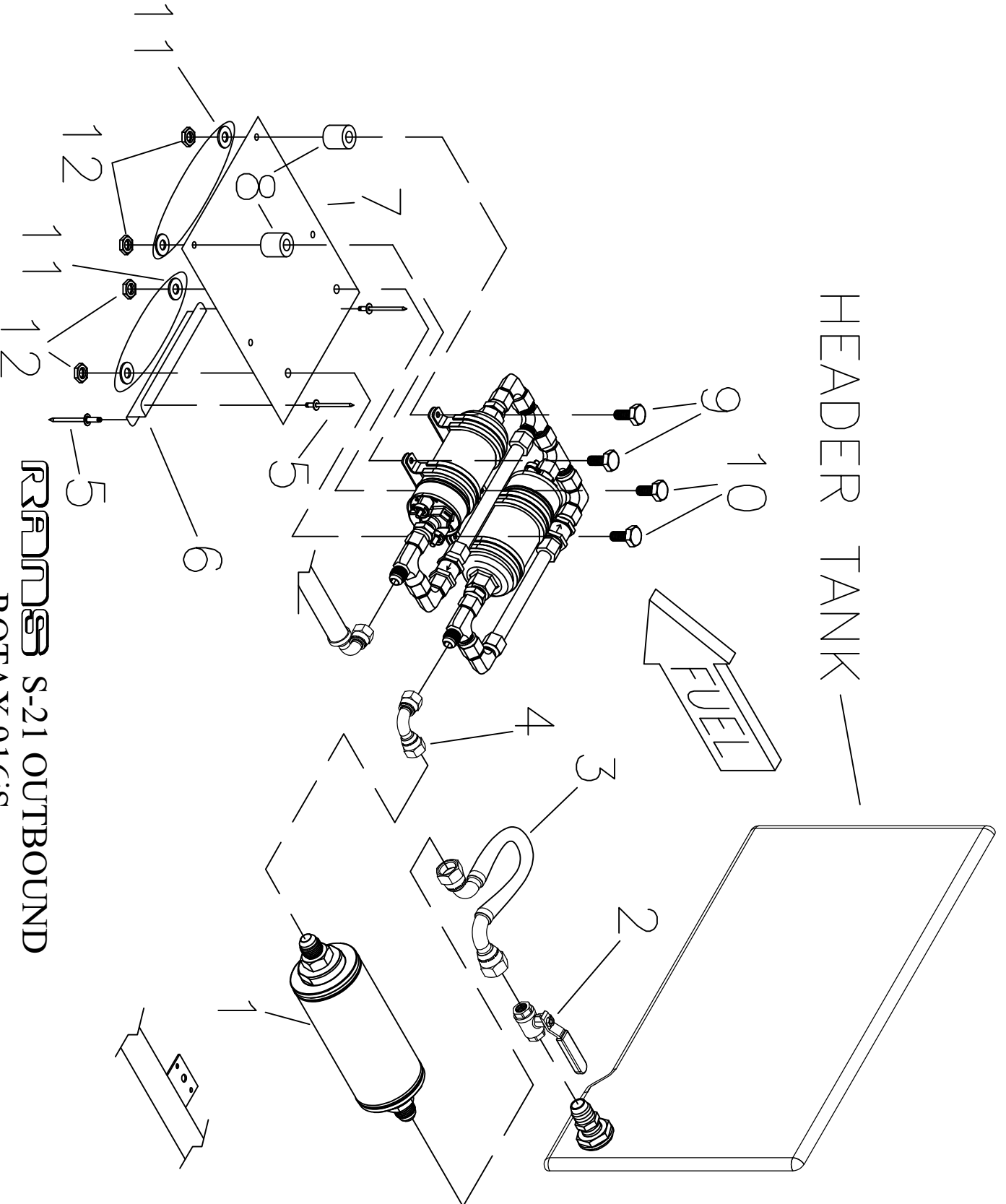
PAGE 011B-06/916iS

#	DESCRIPTION	PART NUMBER	QUANTITY
1.	Genuine ROTAX Fuel Pump *	KAFS0004	1
2.	Fuel Pump Assembly Line	KSPW0169	2
3.	Fitting, 90 Degree Union, -6 AN Female to -6 AN Female	KSFS0052	3
4.	T-Fitting, -6 AN Female, Male, Male	KSFS0055	3
5.	T-Fitting, -6 AN Male, Female, Male	KSFS0056	1
6.	90-Degree -6 AN Male to Female	KSFS0041	1

* KAFS0004 is purchased seperatley, but is required for installation.

5/8/2024

HEADER TANK



ROTAX S-21 OUTBOUND
ROTAX 916iS
FUEL PUMP\FILTER INSTALLATION

MD5657
 REV. - ORIG

RANS S-21 OUTBOUND
ROTAX 916iS - FUEL PUMP/FILTER INSTALLATION

PAGE 011B-08/916iS

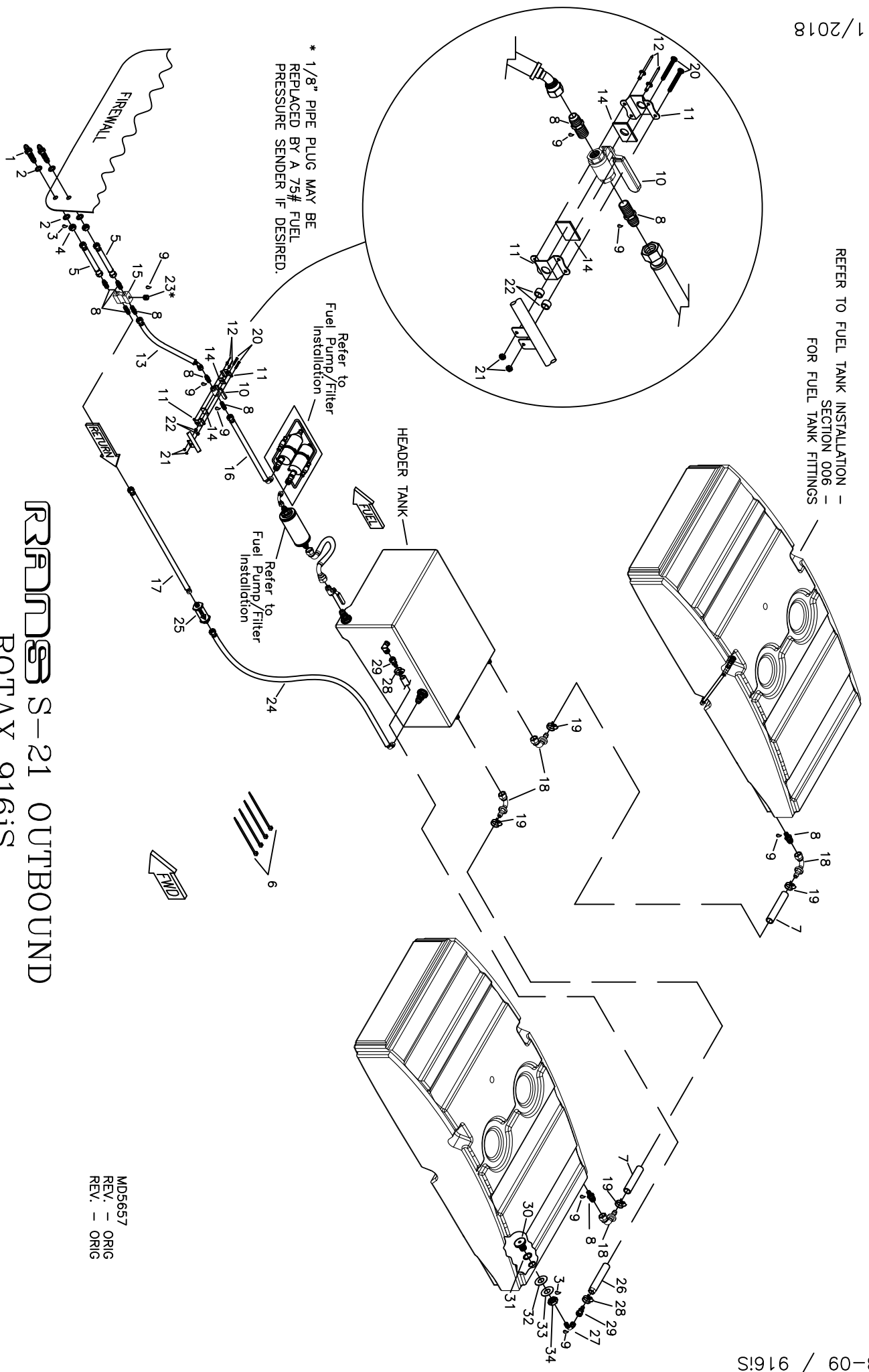
#	DESCRIPTION	PART NUMBER	QUANTITY
1.	Fuel Filter Assembly	KSFS0053	1
2.	Fuel Valve	KSFS0018	1
3.	Fuel Line Assembly - Header Tank to Fuel Filter	KSPW0147	1
4.	Fitting, 90 Degree Union, -6 AN Female to -6 AN Female	KSFS0052	1
5.	1/8" Aluminum Rivet **	AAPQ-42	14
6.	Fuel Pump Tray Support **	KPFS0120	2
7.	Fuel Pump Tray **	KPFS0124	2
8.	3/8" x .095" x .500" Aluminum Bushing *	KPST0132	0
9.	3/16" Bolt	AN3-10A	2
10.	3/16" Bolt	AN3-4A	2
11.	3/16" Thin Washer	AN960-10L	4
12.	3/16" Shear Nut	AN364-1032A	4

*Builder Fabricates from Raw Stock

**Only one each of these parts is used if there will be an autopilot installed

5/8/2024

REFER TO FUEL TANK INSTALLATION - SECTION 006 - FOR FUEL TANK FITTINGS



RRAND S-21 OUTBOUND
ROTAX 916iS
FUEL SYSTEM - FUSELAGE

MD5657
 REV. - ORIG
 REV. - ORIG

RANS S-21 OUTBOUND
ROTAX 916iS - FUEL SYSTEM - FUSELAGE

PAGE 011B-10/916iS

#	DESCRIPTION	PART NUMBER	QUANTITY
1.	Union - Flared Tube - Bulkhead	AN832-6D	2
2.	9/16" Thick Washer	AN960-916	4
3.	Loc-tite Blue *	----	0
4.	Nut - Flared Tube Bulkhead	AN924-6D	2
5.	Fuel Line Assembly - By-pass Block to Firewall	KSPW0150	2
6.	Plastic Tie - 7.5"	N-Ties	8
7.	Black Fuel Line - 3/8"	27004	13 ft.
8.	Nipple - Flared Tube & Pipe Thread	AN816-6D	8
9.	Thread Sealant * (Fuel Compatible Sealant, DOW 730, Loctite 567)	----	0
10.	Fuel Valve	KSFS0018	1
11.	Fuel Valve Mount Bracket	KPFS0037	2
12.	1/8" Aluminum Rivet - Cherry Q	AAPQ-42	2
13.	Fuel Line Assembly - Shut-off Valve to Bypass Block	KSPW0149	1
14.	Fuel Valve Silicone Pad **	KPFS0106	1
15.	Fuel Block	KSFS0042	1
16.	Fuel Line Assembly - Fuel Pump to Shut-off Valve	KSPW0148	1
17.	Fuel Line Assembly - By-pass Block to Check Valve	KSPW0151	1
18.	90 Degree 3/8" Hose Fitting	33982-6-6	4
19.	Hose Clamp - 7/8"	5-6203	4
20.	Brass Bolt	MS35214-20	2
21.	#4-40 Nut	AN364-440A	2
22.	Aluminum Bushing, 1/4" x .028" x .160" **	KAAC0044-2	0
23.	1/8" Pipe Plug ***	PIPE-PLUG 1/8	1
24.	Fuel Line Assembly - Check Valve to Header Tank	KSPW0155	1
25.	Check Valve	KSFS0054	1
26.	Black Fuel Line - 1/2"	KSFS0048	6 ft.
27.	Nipple - Flared Tube & Pipe Thread - Swivel	KSFS0051	1
28.	Hose Clamp - 1"	5-5210	2
29.	Straight Hose Fitting - 1/2"	KSPW0026	2
30.	3/4" Bulkhead Fitting	KSFS0037	1
31.	O-Ring - 3/4" Bulkhead	KSFS0039	1
32.	Rubber Washer	KSFS0016	1
33.	3/4" Thick Washer	AN960-1216	1
34.	Nut - 3/4" Bulkhead - Reverse Thread	KSFS0038	1

*Builder Supplied
 **Builder Modifies

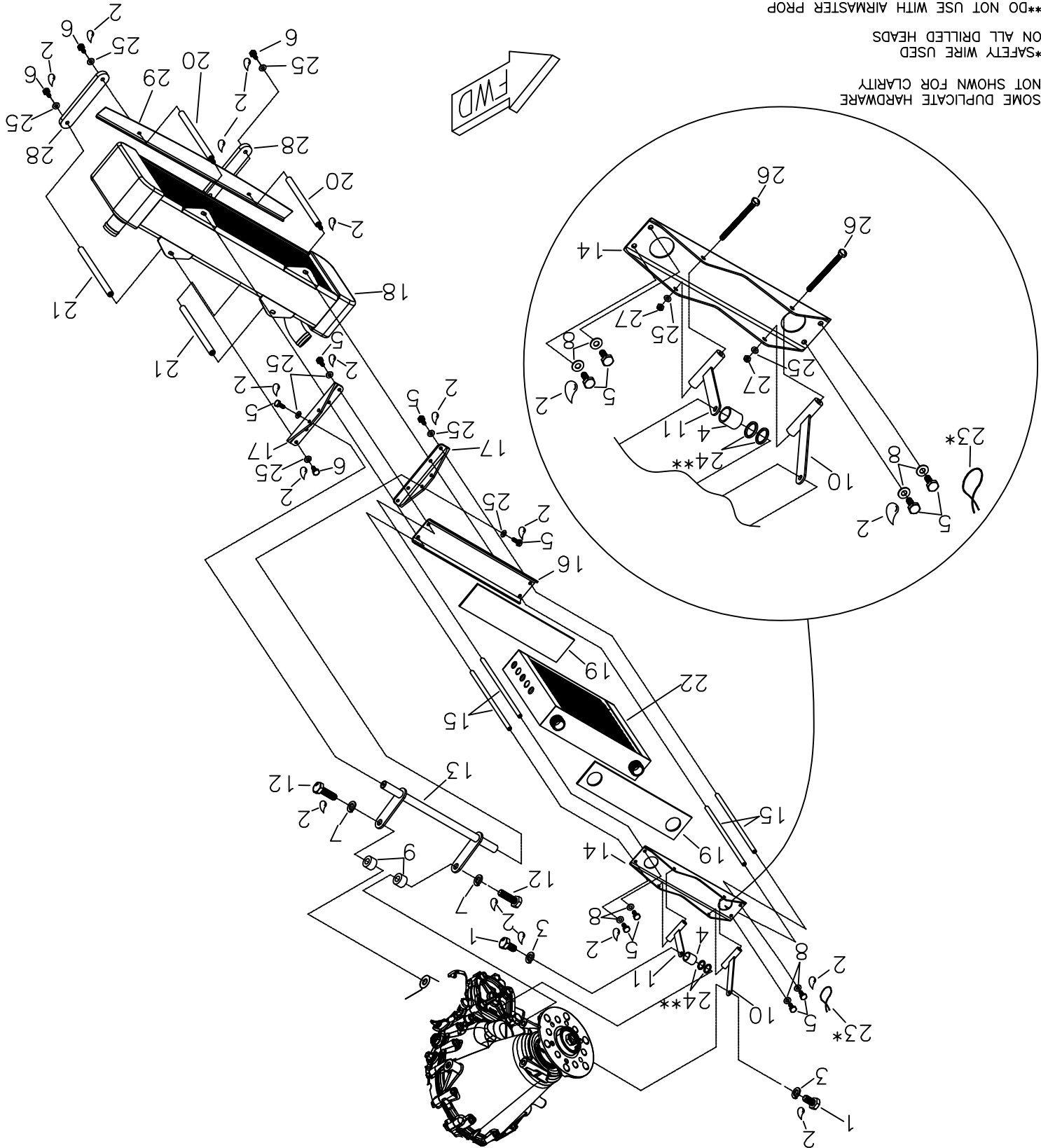
OIL COOLER & RADIATOR MOUNT INSTALLATION

RPM S-21 OUTBOUND ROTAX 916IS

MDS657 REV. - ORIG

**DO NOT USE WITH AIRMASTER PROP

SOME DUPLICATE HARDWARE NOT SHOWN FOR CLARITY
*SAFETY WIRE USED ON ALL DRILLED HEADS



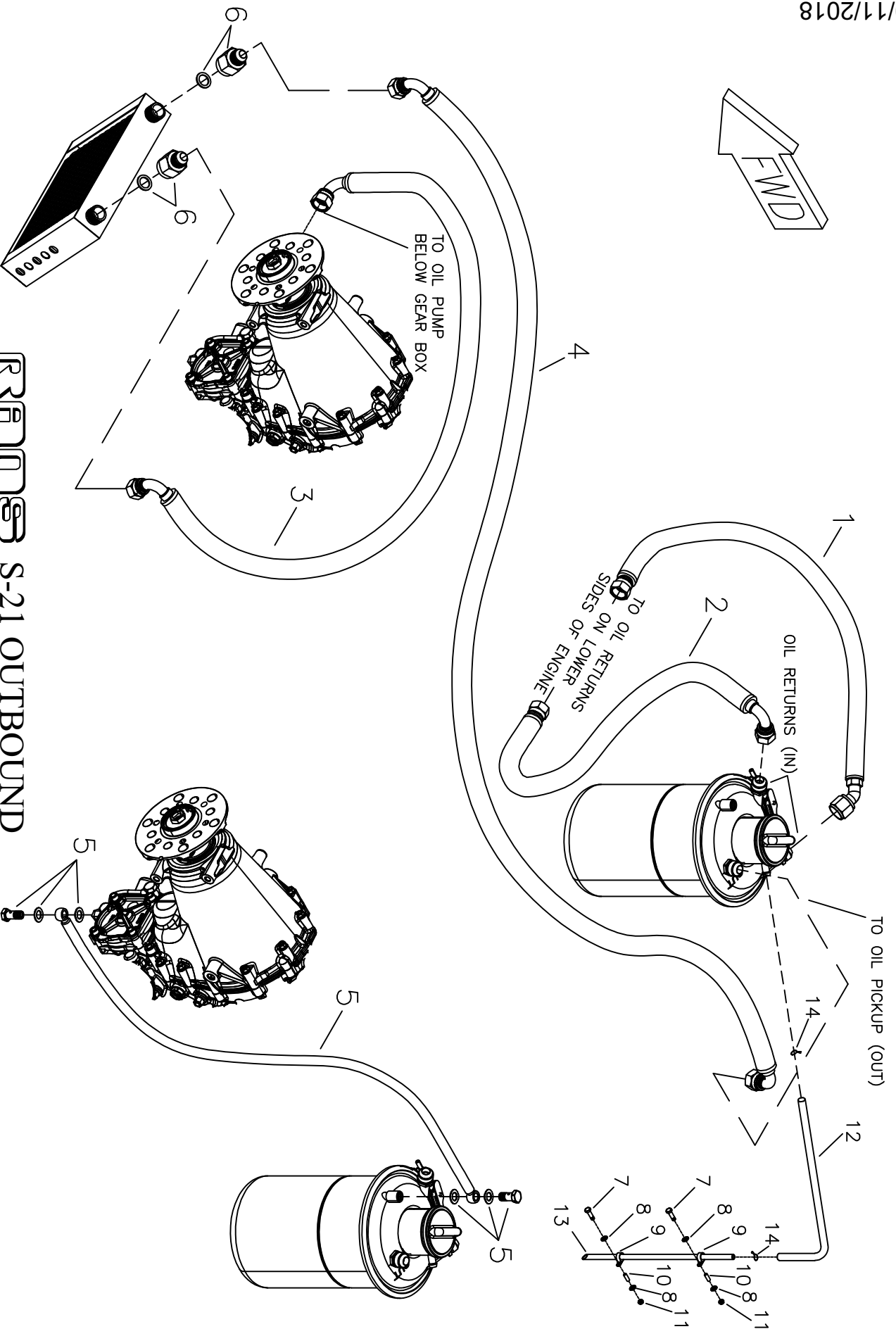
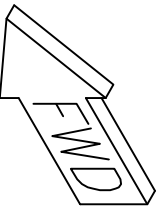
RANS S-21 OUTBOUND
ROTAX 916iS - OIL COOLER & RADIATOR MOUNT
INSTALLATION

#	DESCRIPTION	PART NUMBER	QUANTITY
1.	8mm Bolt	8MM x 20	2
2.	Loctite Blue *	----	0
3.	5/16 Loc-Washer	AN935-516	2
4.	Spacer Bushing	KPAC0279	1
5.	3/16" Drilled Head Bolt	AN3H-4A	8
6.	3/16" Drilled Head Bolt	AN3H-5A	6
7.	10mm Loc-Washer	945-753	2
8.	3/16" Thick Washer	AN960-10	4
9.	Spacer	KPPW0304	2
10.	Oil Cooler Mount - RH	KPPW0358	1
11.	Oil Cooler Mount - LH	KPPW0393	1
12.	10mm Bolt	10MM x 35MM BOLT	2
13.	Radiator Mount - Weldment	KPPW0369	1
14.	Upper Mount Plate - Oil Cooler	KPPW0345	1
15.	Oil Cooler Bushing	KPPW0385	4
16.	Lower Mount Plate - Oil Cooler	KPPW0346	1
17.	Upper Radiator Mount Angle	KPPW0359	2
18.	Radiator - Rotax 916iS	KPPW0355	1
19.	.093" Silicone Sheet **	KPPW0254	2
20.	Oil Cooler Mount Tube - FWD	KPPW0386	2
21.	Oil Cooler Mount Tube - AFT	KPPW0387	2
22.	Oil Cooler - Rotax 916iS (Supplied with engine when purchased from RANS)	KSPW0124	1
23.	Safety Wire *	----	0
24.	5/16" Thick Washer ***	AN960-516	2
25.	3/16" Thin Washer	AN960-10L	12
26.	3/16" Bolt	AN3-22A	2
27.	3/16" Shear Nut	AN364-1032A	2
28.	Radiator Lower Mount Strap	KPPW0394	2
29.	Radiator Air Deflector	KPPW0395	1

*Builder Supplied

**Builder Modifies

***Do Not Use With Airmaster Prop



ROTAX S-21 OUTBOARD
ROTAX 916iS
LUBRICATION SYSTEM INSTALLATION

MD5657
 REV. - ORIG

RANS S-21 OUTBOUND

ROTAX 916iS - LUBRICATION SYSTEM INSTALLATION

PAGE 011C-04/916iS

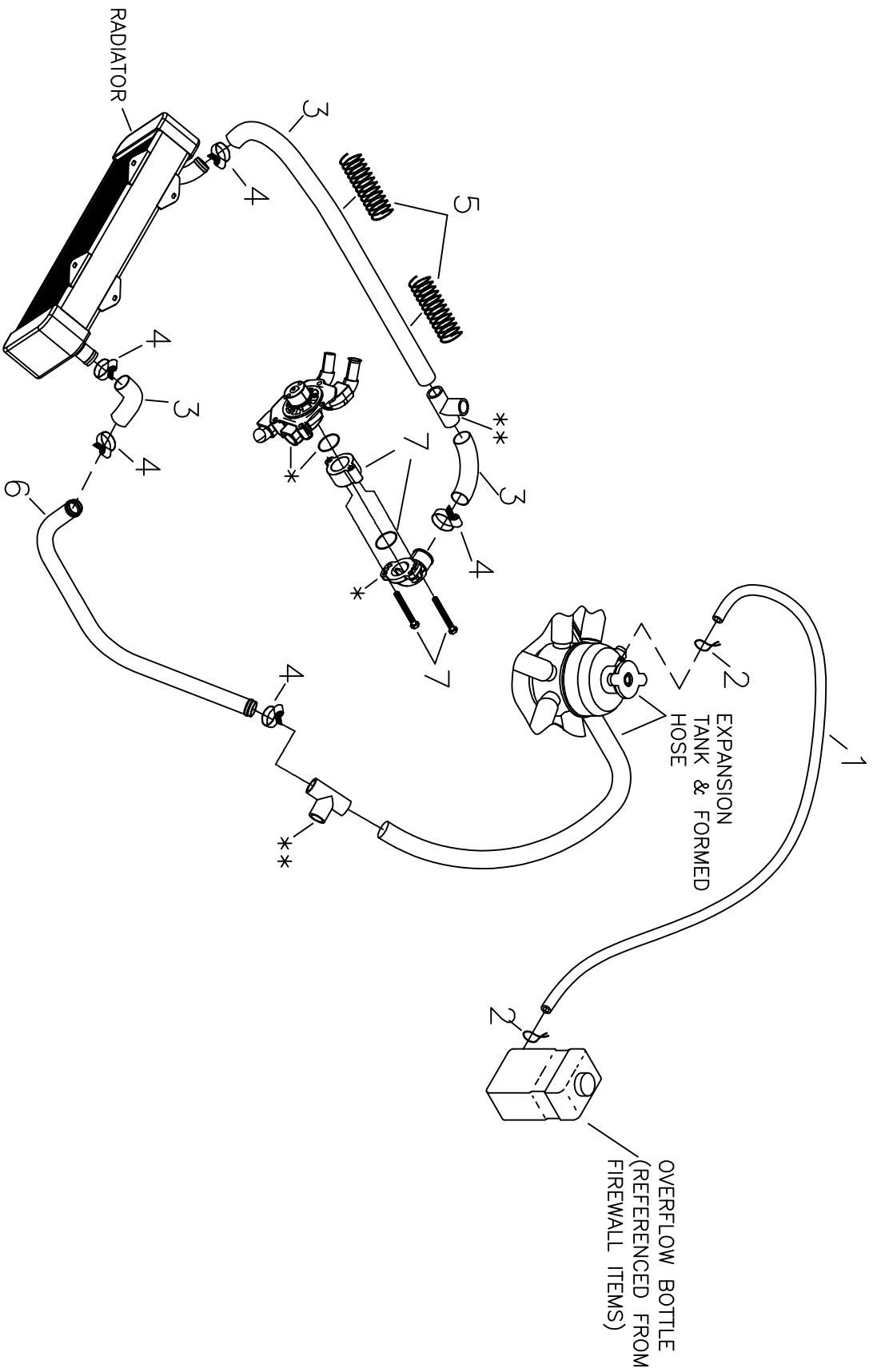
#	DESCRIPTION	PART NUMBER	QUANTITY
1.	Oil Line Assembly - Return RH	KSPW0125	1
2.	Oil Line Assembly - Return LH	KSPW0126	1
3.	Oil Line Assembly - Cooler to Pump	KSPW0127	1
4.	Oil Line Assembly - Tank to Cooler	KSPW0128	1
5.	Oil Line Assembly - Return - Pump to Tank	KSPW0129	1
6.	Oil Cooler Adaptor w/ Gasket Ring *	KSPW0156	0
7.	3/16" Bolt	AN3-11A	2
8.	3/16" Thin Washer	AN960-10L	4
9.	3/8" Plain Clamp	AN742-D6	2
10.	3/8" x .095" x 3/4" Aluminum Bushing **	KPST0132	0
11.	3/16" Shear Nut	AN364-1032A	2
12.	Medium Temperature Tubing	KSPW0069	3ft
13.	3/8" x .035" Aluminum Tube **	KAAC0044-14	1
14.	Safety Wire ***	----	0

*Supplied with Oil Cooler (KSPW0124)

**Builder Modifies

***Builder Supplied

5/8/2024



* SUPPLIED WITH ENGINE
 ** REFER TO CABIN HEATER INSTALLATION

ROTAX S-21 OUTBOUND
ROTAX 916iS
COOLING SYSTEM INSTALLATION

MD5657
 REV. - ORIG

RANS S-21 OUTBOUND
ROTAX 916iS - Coolant System Installation

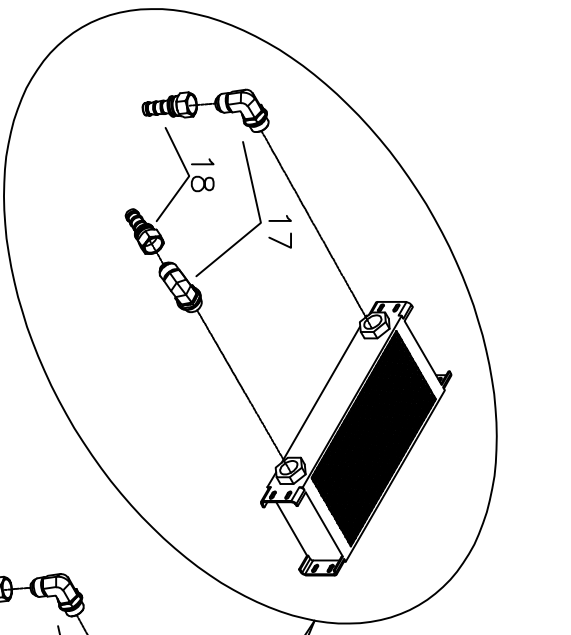
PAGE 011C-06/916iS

#	DESCRIPTION	PART NUMBER	QUANTITY
1.	5/16" Overflow Hose	EGCS-OFH	4 ft.
2.	Safety Wire *	----	0
3.	Radiator Hose - 1" **	RADIATOR HOSE	4 ft.
4.	35mm Constant Tension Hose Clamp	KSHW0125	5
5.	Coolant Spring	EGCS-HS	2
6.	Radiator Coolant Tube	KPPW0371	1
7.	Coolant Elbow Spacer Kit	KSPW0164	1

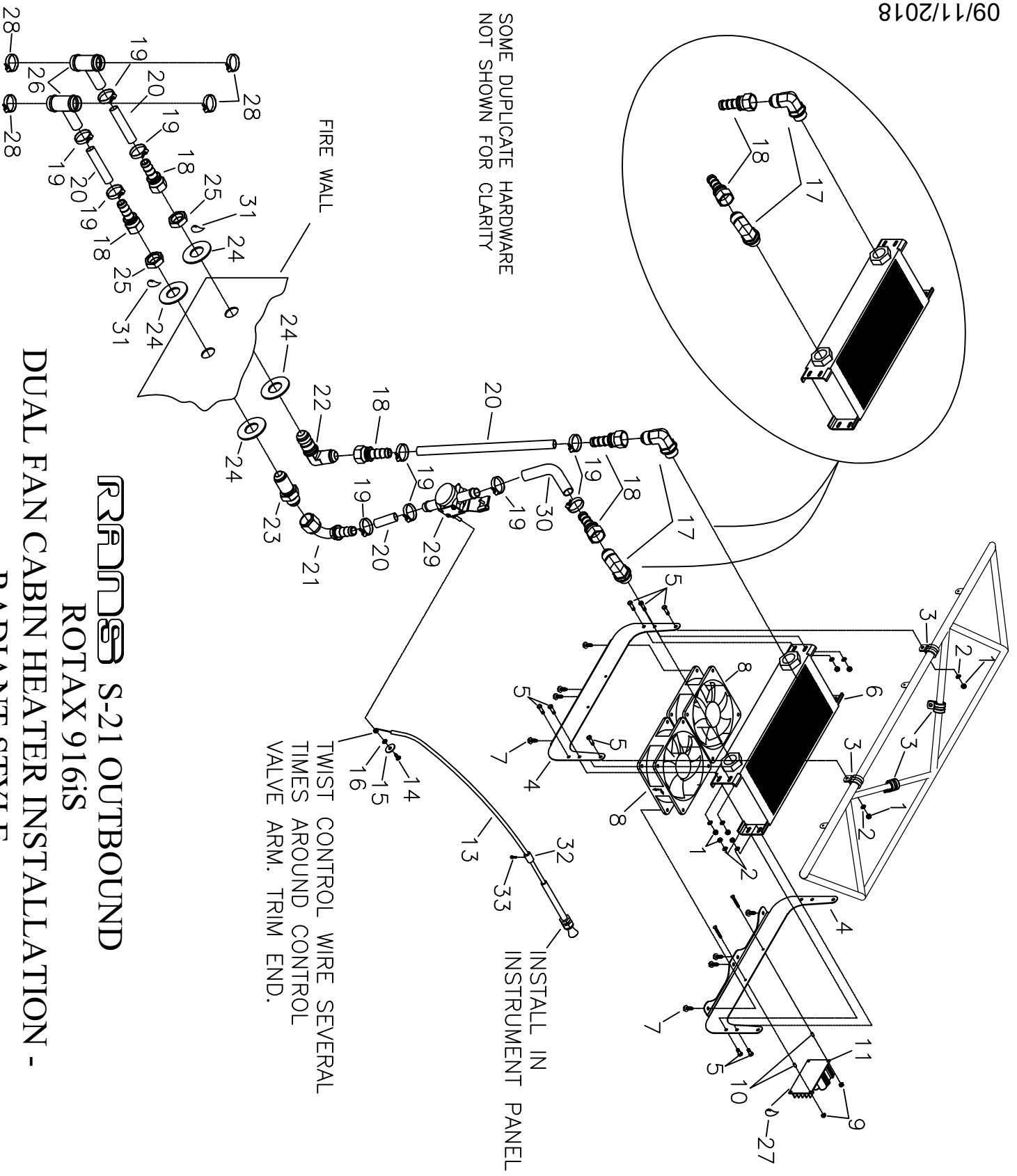
*Builder Supplied

**Builder Modifies

5/8/2024



SOME DUPLICATE HARDWARE NOT SHOWN FOR CLARITY



TWIST CONTROL WIRE SEVERAL TIMES AROUND CONTROL VALVE ARM. TRIM END.

INSTALL IN INSTRUMENT PANEL

ROTAX S-21 OUTBOUND

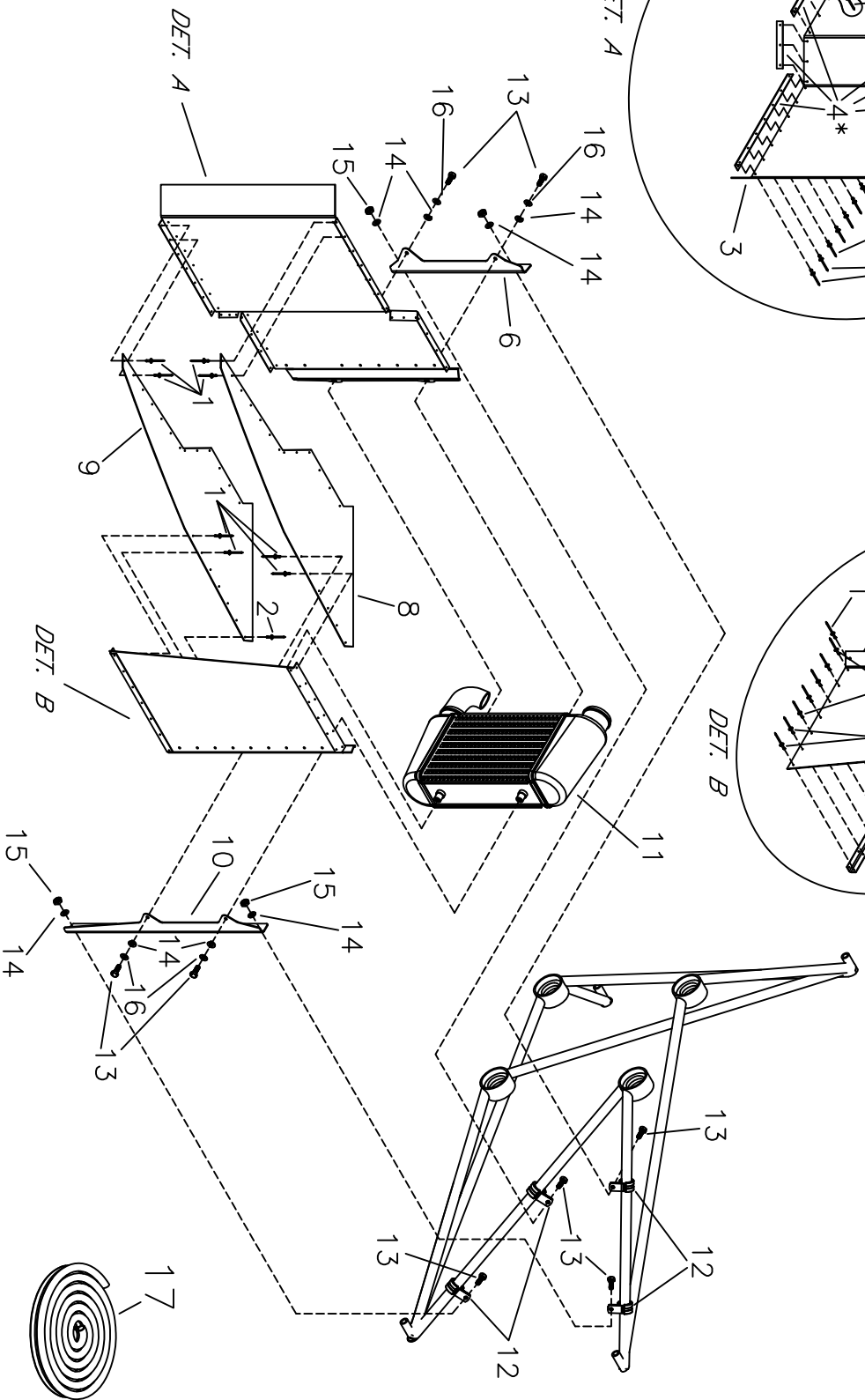
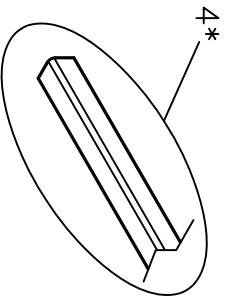
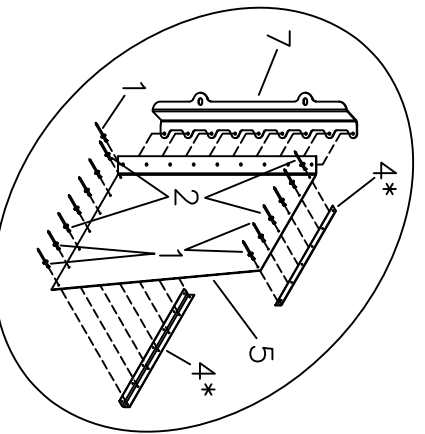
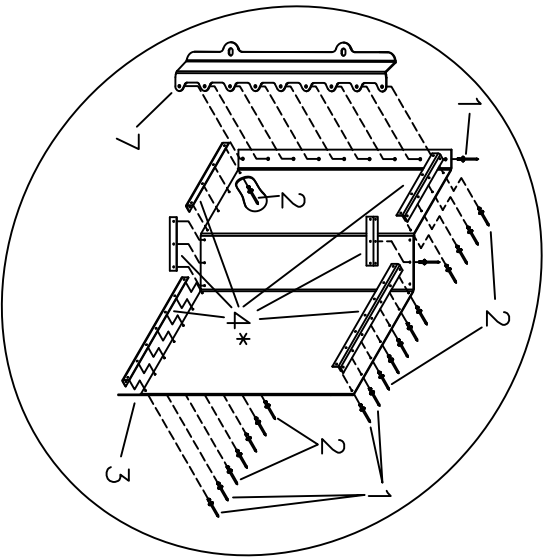
ROTAX 916is

DUAL FAN CABIN HEATER INSTALLATION - RADIANT STYLE

RANS S-21 OUTBOUND
ROTAX 916IS - DUAL FAN CABIN HEATER INSTALLATION

#	DESCRIPTION	PART NUMBER	QUANTITY
1.	3/16" Shear Nut	AN364-1032A	16
2.	3/16" Thin Washer	AN960-10L	16
3.	1/2" Cushion Clamp	MS21919-DG8	4
4.	Dual Fan Heater Mount	KPIN0144	2
5.	3/16" Bolts	AN3-3A	12
6.	Heater Core - 16 row x 13"	KSPW0118	1
7.	#10 Hex Head Thread Cutting Screw	KSHW0122	8
8.	Heater Fan - 120mm x 38 mm	KSIN0006	2
9.	#4-40 Nut	AN364-440A	2
10.	Aluminum Bushing, 1/4" x .028" x 1/4" *	KAAC0044-2	0
11.	Fan Speed Controller and Switch	KSIN0007	1
12.	Brass Bolt	MS35214-20	2
13.	Control Cable	4-336	1
14.	#6 Pan Head Screw	6R x 1/2 PHS	1
15.	#10 Washer - Stainless Steel	BSHW0022	1
16.	1/8" Brass Washer	AN960-B4	1
17.	90 Degree Swivel Fitting (-10 to -10AN O-Ring)	KSPW0120	2
18.	Straight Swivel Fitting (-10 to 5/8" Hose)	KSPW0121	5
19.	25mm Constant Tension Hose Clamp	KSHW0126	10
20.	5/8" Heater Hose	HEATER HOSE 5/8	6 ft.
21.	90 Degree Swivel Fitting (-10 to 5/8" Hose)	KSPW0163	1
22.	Bulkhead - 90 Degree Elbow - Flare	AN833-10D	1
23.	Union - Flared Tube - Bulkhead	AN832-10D	1
24.	7/8 Bulkhead Washer	KSPW0119	4
25.	Nut - Bulkhead	AN924-10D	2
26.	1" to 5/8" Tee	H-Tee	2
27.	RTV Silicone	-----	0
28.	35mm Constant Tension Hose Clamp	KSHW0125	4
29.	Control Valve	277813	1
30.	Preformed Radiator Hose - 5/8" ***	KSPW0025	1
31.	Loctite **	-----	0
32.	Cable Friction Block	T-STOP	1
33.	Socket Head Cap Screw	T-SC	1

*Fabricate from Raw Stock
 **Builder Supplied
 ***Builder Modified



RRRINDOS
ROTAX 916iS
INTERCOOLER INSTALLATION

MD5657
 REV. - ORIG

RANS S-21 OUTBOUND

ROTAX 916iS - INTERCOOLER INSTALLATION

PAGE 011C-10/916iS

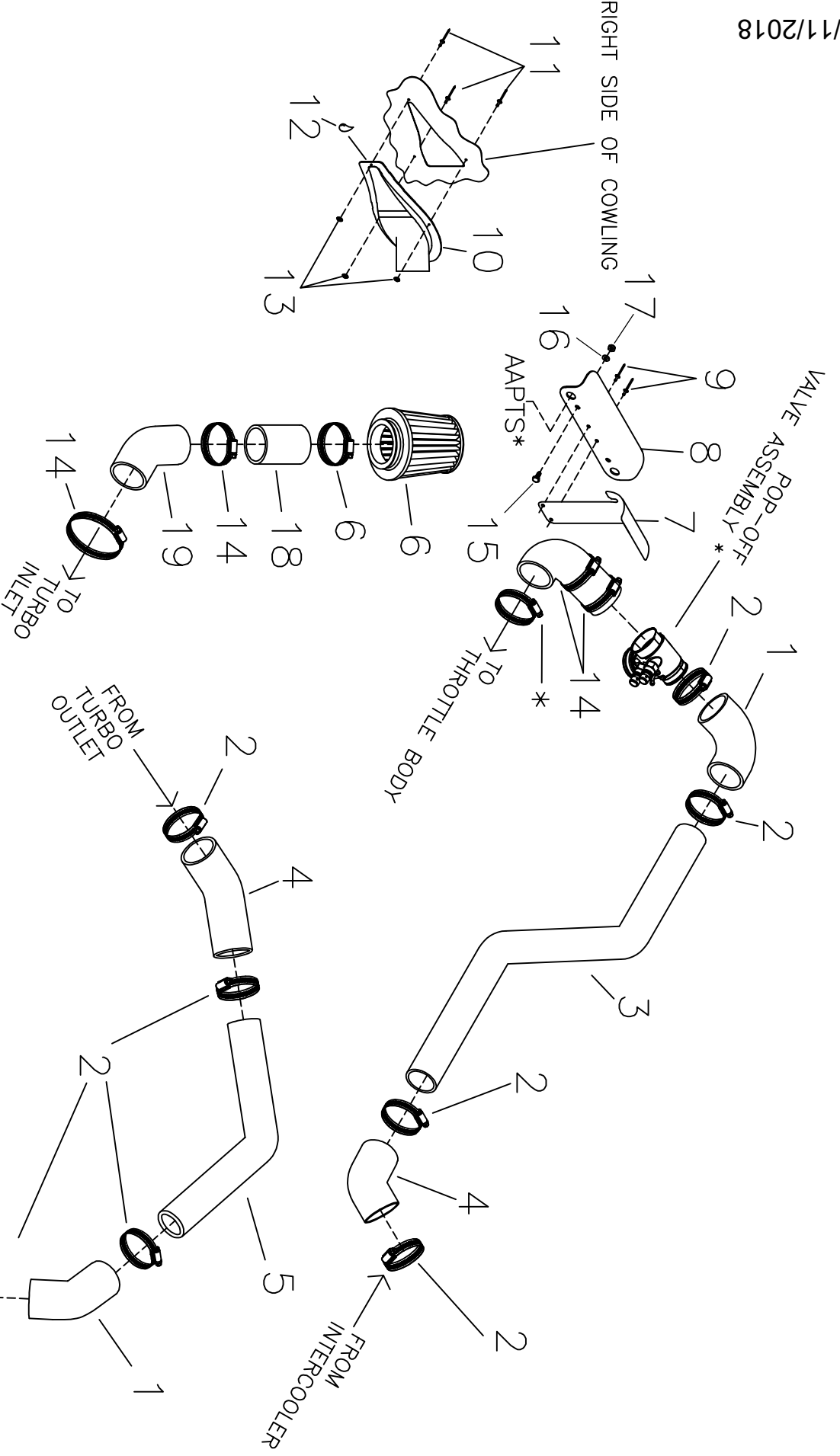
#	DESCRIPTION	PART NUMBER	QUANTITY
1.	1/8" Stainless Steel Rivet - Cherry Q	CCPQ-42	34
2.	1/8" Aluminum Rivet - Cherry Q	AAPQ-42	66
3.	Intercooler Airbox Inboard Side	KPPW0404	1
4.	Inlet Support Angle *	KPPW0326-30	3
5.	Intercooler Airbox Outboard Side	KPPW0403	1
6.	Intercooler Mount Angle - Small	KPPW0399	1
7.	Intercooler Air Scoop Attach Bracket	KPPW0398	2
8.	Intercooler Airbox Top	KPPW0401	1
9.	Intercooler Airbox Bottom	KPPW0402	1
10.	Intercooler Mount Angle - Large	KPPW0400	1
11.	Intercooler - Large ** ***	888 967	1
12.	5/8" Cushion Clamp	MS21919-DG10	4
13.	3/16" Bolt	AN3-4A	8
14.	3/16" Thin Washer	AN960-10L	8
15.	3/16" Shear Nut	AN364-1032A	4
16.	3/16" Star Lock Washer	MS35333-39	4
17.	Rubber Seal	KSAC0083	6 ft

*Fabricate from Raw Stock

**Supplied with Engine

***Modified by RANS if engine ordered through RANS

5/8/2024



SOME DUPLICATE HARDWARE NOT SHOWN FOR CLARITY

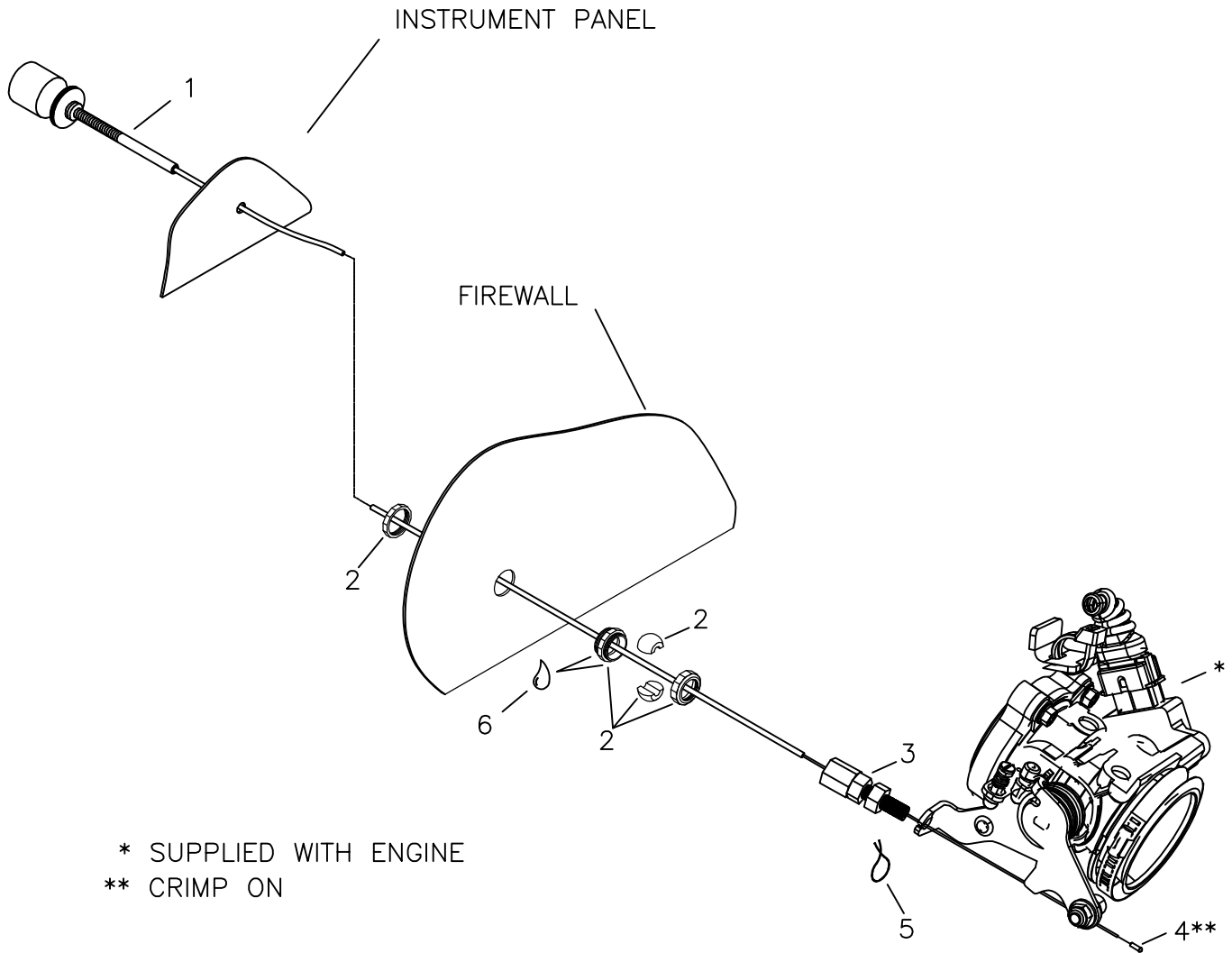
* SUPPLIED WITH ENGINE

ROTAX S-21 OUTBOUND
ROTAX 916iS
INDUCTION SYSTEM INSTALLATION

RANS S-21 OUTBOUND
ROTAX 916iS - INDUCTION SYSTEM INSTALLATION

#	DESCRIPTION	PART NUMBER	QUANTITY
1.	2" ID Silicone Hose - 90 Degree	KSPW0159	2
2.	T-Bolt Clamp - 2"	KSHW0128	8
3.	Intercooler Connecting Tube - Top	KPPW0397	1
4.	2" ID Silicone Hose - 45 Degree	KSPW0160	2
5.	45 Degree Intercooler Connecting Tube - Bottom	KPPW0408	1
6.	Air Filter - Rotax 916iS - (with hose clamp)	KSPW0158	1
7.	AAPTS Mount Bracket	KPPW0390	1
8.	AAPTS Mount Bracket Angle	KPPW0388	1
9.	3/16" Aluminum Rivet - Cherry Q	AAPQ-62	2
10.	Air Vent NACA Scoop	KSFU0004	1
11.	1/8" Aluminum Rivet - Avex	1691-0410	3
12.	RTV High Temp Silicone **	----	0
13.	1/8" Brass Washer	AN960-B4	3
14.	Hose Clamp - 3 1/2"	5-5248	4
15.	1/4" Bolt	AN4-4A	2
16.	1/4" Thin Washer	AN960-416L	2
17.	1/4" Shear Nut	AN364-428A	2
18.	2.75" Connecting Tube	KPPW0396	1
19.	60 Degree 2.75" Silicone Elbow *	KSPW0166	1

*Builder Modifies
 **Builder Supplied



MD5657
REV. ORIG

RANS S-21 OUTBOUND
ROTAX 916is
THROTTLE ASSEMBLY

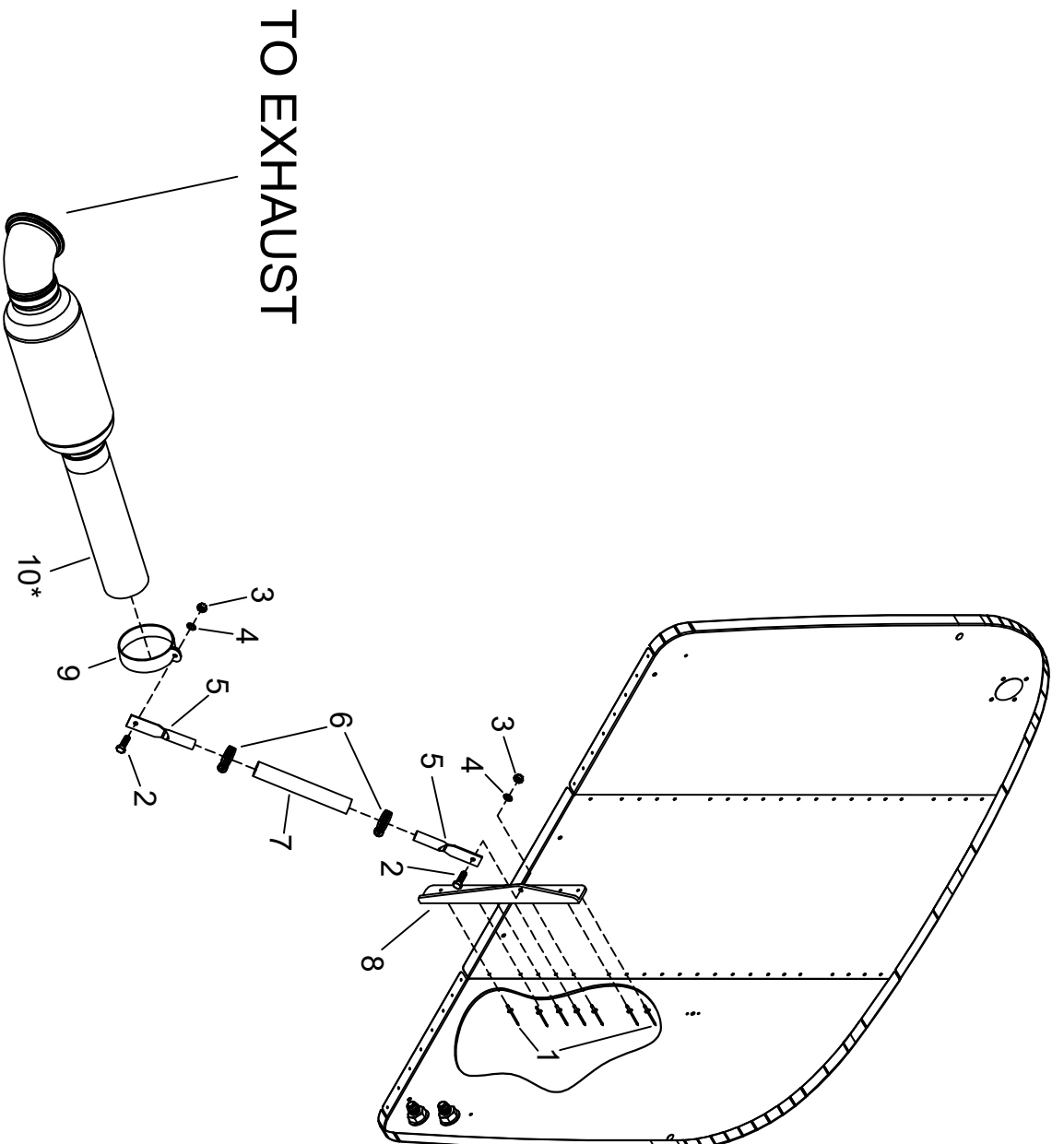
RANS S-21 OUTBOUND
ROTAX 916iS - THROTTLE ASSEMBLY

PAGE 011D-02/916iS

#	DESCRIPTION	PART NUMBER	QUANTITY
1.	Throttle Cable Assembly - Vernier Assist	KSCS0033	1
2.	Eyeball Firewall Fitting	KSHW0118	1
3.	Adjustable Cable Ferrule	2373	1
4.	Cable Crimp End Cap **	BSCP0030	1
5.	Safety Wire *	----	0
6.	Loctite - Blue *	----	0

*Builder Supplied
** Crimp On

5/8/2024



*SUPPLIED WITH ENGINE

ROTAX S-21 OUTBOUND
ROTAX 916iS
EXHAUST BRACE INSTALLATION

RANS S-21 OUTBOUND
ROTAX 916iS - EXHAUST BRACE INSTALLATION

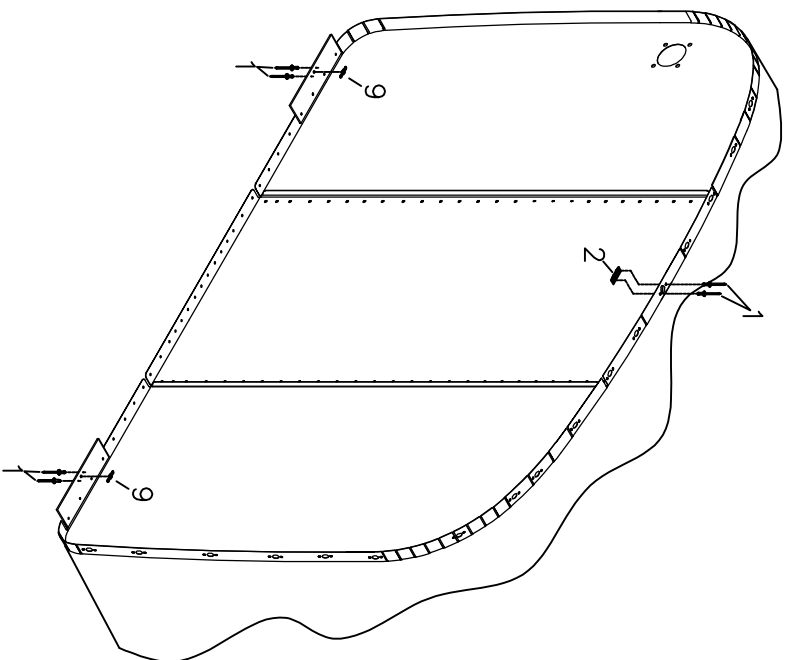
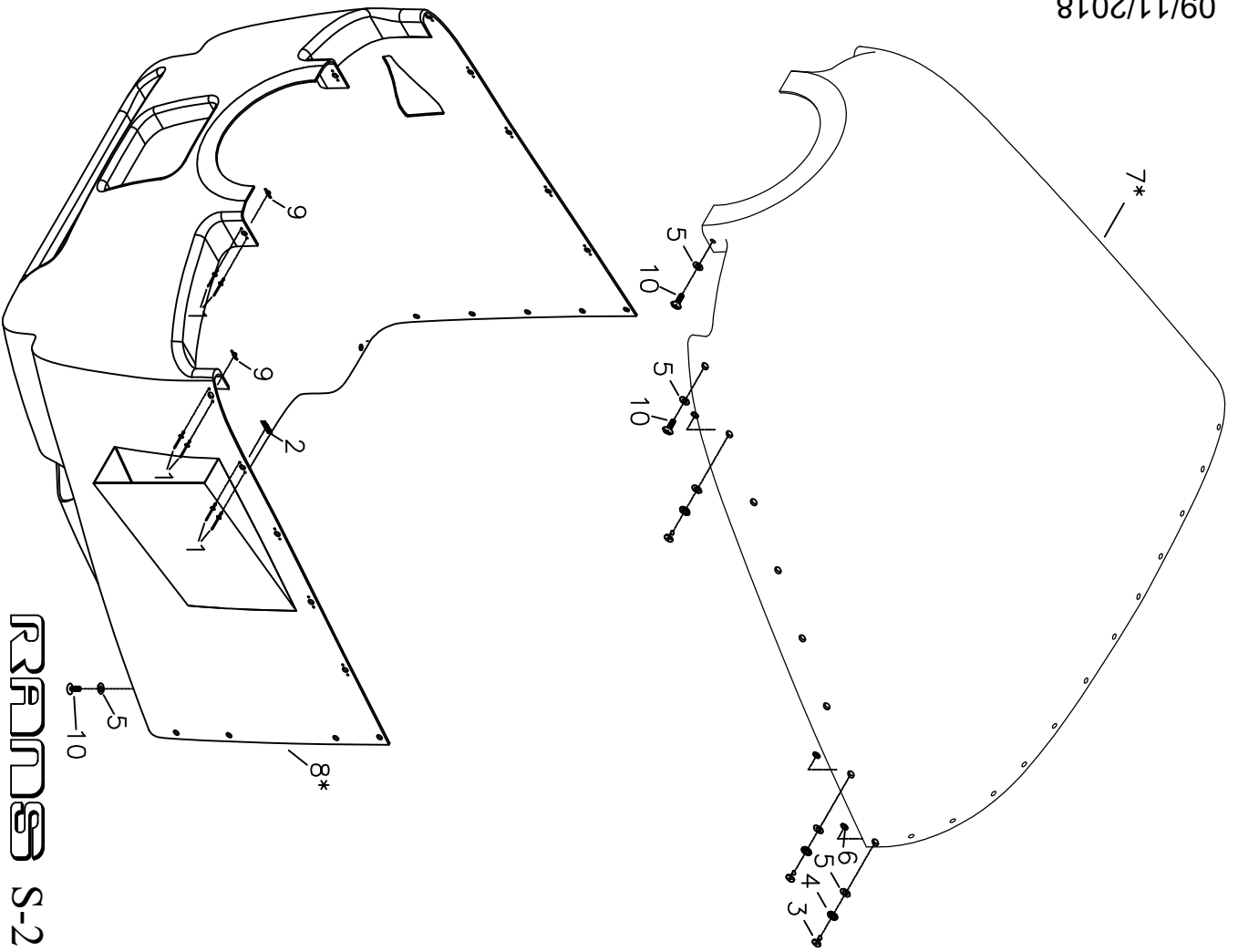
PAGE 011D-04/916iS

#	DESCRIPTION	PART NUMBER	QUANTITY
1.	1/8" Stainless Steel Rivet - Cherry Q	CCPQ-43	7
2.	3/16" Bolt	AN3-4A	2
3.	3/16" Shear Nut	AN364-1032A	2
4.	3/16" Thin Washer	AN960-10L	2
5.	Exhaust Mount Tube	KPEX0079	2
6.	Hose Clamp -1"	5-5210	2
7.	Black Fuel Line - 1/2"	KSFS0048	6 in
8.	Exhaust Mount Bracket	KPEX0077	1
9.	Exhaust Mount Clamp	KPEX0078	1
10.	Exhaust Muffler * **	----	0

*Supplied w/ Engine
Will need modified to stay inside the cowling

**

5/8/2024



* IMPORTANT:
 FITUP AND INSTALLATION OF COWLING
 REQUIRES BOOT COWL,
 ENGINE, PROP EXTENSION AND
 SPINNER BACKING PLATE
 TO BE INSTALLED.

ROTAX S-21 OUTBOUND
ROTAX 916iS
COWLING ASSEMBLY AND INSTALLATION

MD5657
 REV. - ORIG

RANS S-21 OUTBOUND

ROTAX 916iS - COWLING ASSEMBLY AND INSTALLATION

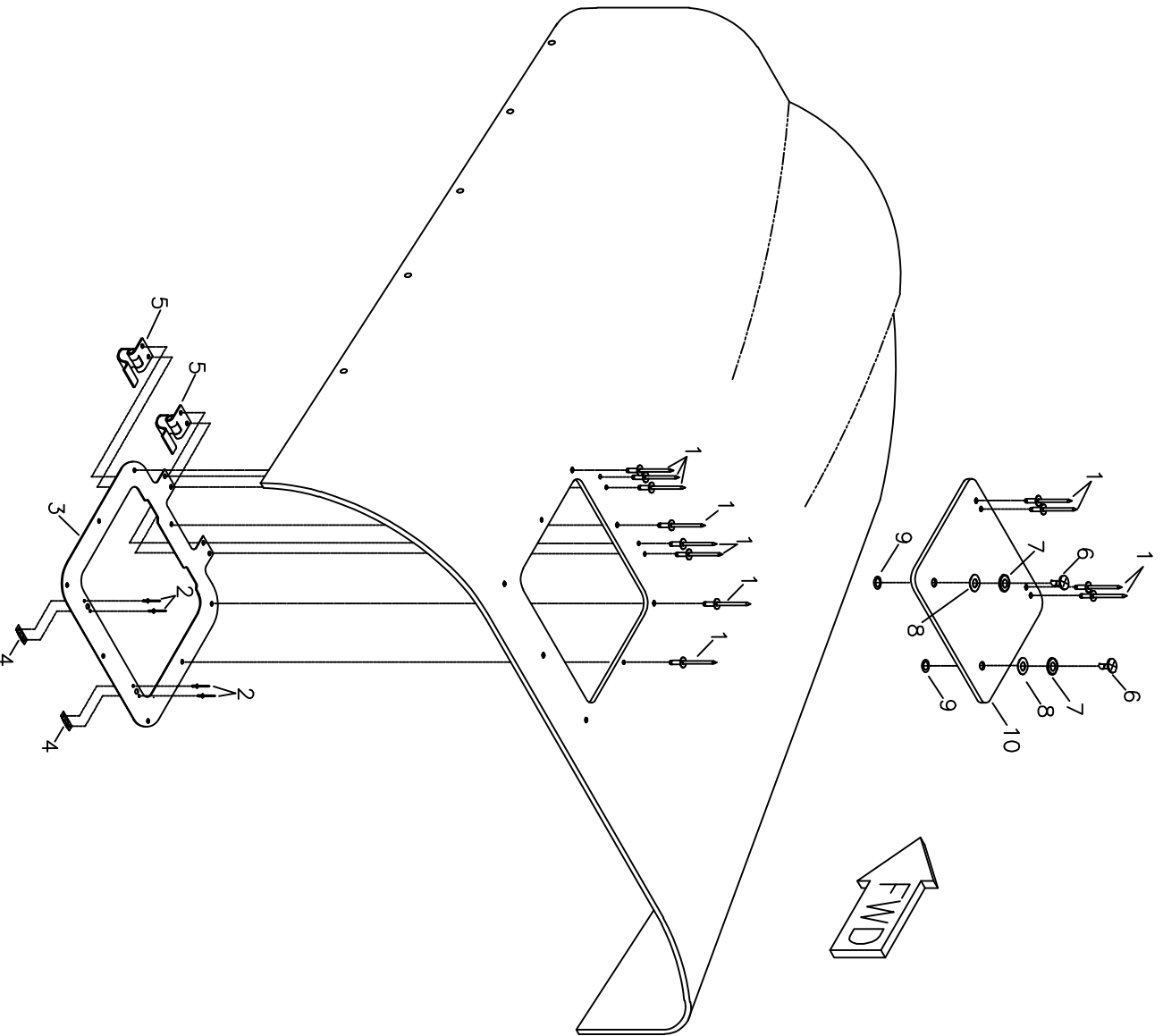
PAGE 011E-02/916iS

#	DESCRIPTION	PART NUMBER	QUANTITY
1.	3/32" Aluminum Rivet	40APR1/4	80
2.	1/4 Turn Receptacle	#302	33
3.	1/4 Turn Stud *	#180	33
3.	1/4 Turn Stud *	#200	10
3.	1/4 Turn Stud *	#220	10
3.	1/4 Turn Stud *	#240	2
4.	Rubber Washer **	#201	50
5.	Wear Washer - Nylon	#103	40
6.	Snap Ring	#101	33
7.	Upper Cowling - Rotax 915/916iS	KPCW0054-C	1
8.	Lower Cowling - Rotax 915/916iS	KPCW0053-C	1
9.	3/16" Nut Plate	K-1000-3	6
10.	10-32 Pan Head Machine Screw	KSHW0071	6

*Use as needed for secure attachment

**Can be stacked in moderation to shim stud for appropriate length

5/8/2024



ROTAX S-21 OUTBOUND
ROTAX 916iS
OIL CHECK DOOR INSTALLATION

MD5657
 REV. - ORIG

RANS S-21 OUTBOUND
ROTAX 916iS - OIL CHECK DOOR INSTALLATION

PAGE 011E-04/916iS

#	DESCRIPTION	PART NUMBER	QUANTITY
1.	1/8" Aluminu Rivet - Avex	1691-0410	18
2.	3/32" Aluminum Rivet	40APR1/4	4
3.	Reinforcement Ring - Maintenance Hatch	KPCW0015	1
4.	1/4 Turn Receptacle	#302	2
5.	Oil Door Hinge	KSHW0053	2
6.	1/4 Turn Stud	#180	2
7.	Rubber Washer	#201	2
8.	Wear Washer Nylon	#103	2
9.	Snap Ring	#101	2
10.	Maintenance Hatch	KPCW0036	1

*Use as needed for secure attachment

**Can be stacked in moderation to shim stud for appropriate length

5/8/2024

REFER TO AIRMASTER PROP MANUAL

~~REVISIONS~~ S-21 OUTBOUND

ROTAX 916iS

OPTIONS - AIR MASTER PROPELLER INSTALLATION

MD5657
REV. - ORIG

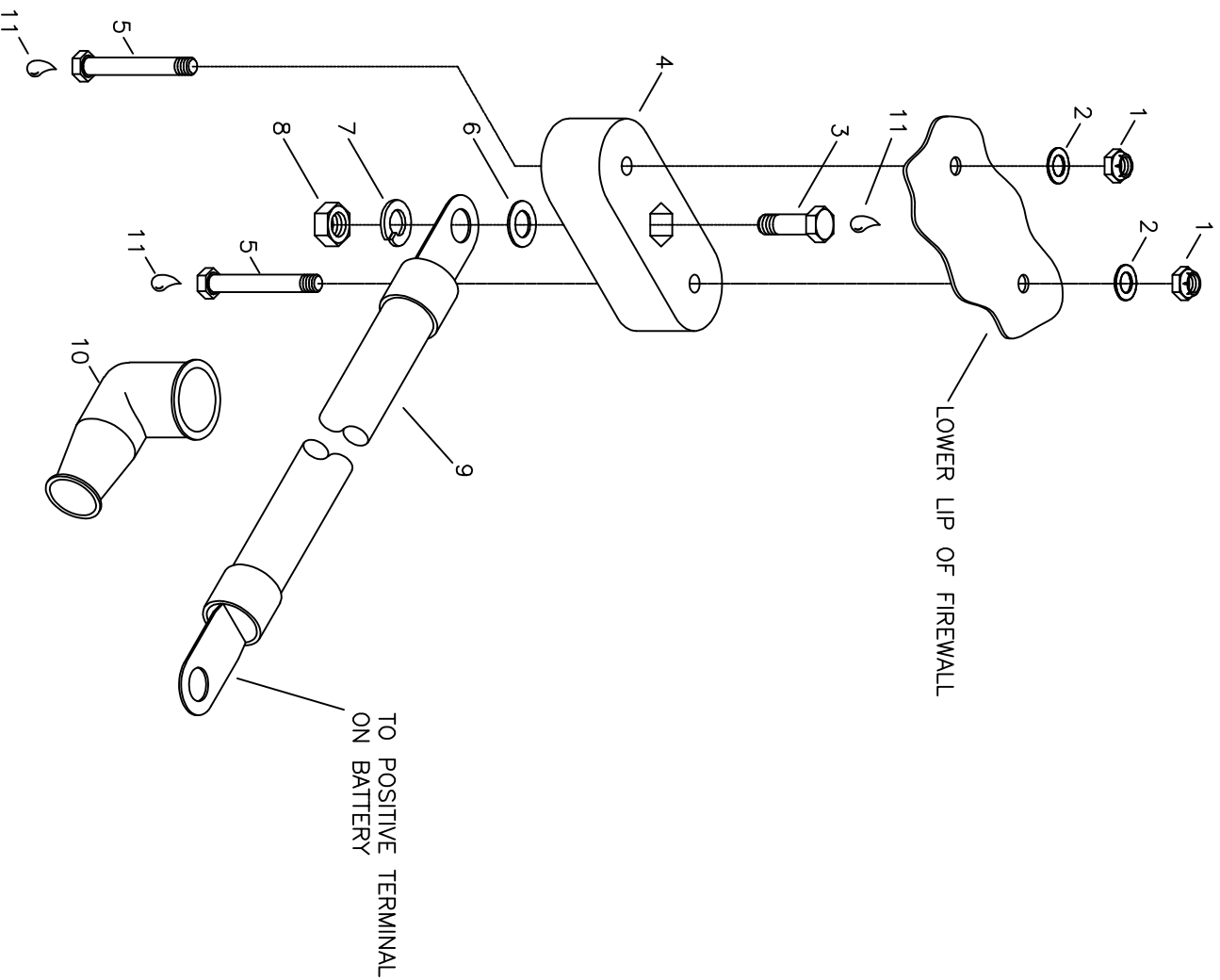
RANS S-21 OUTBOUND
ROTAX 916iS - OPTIONAL AIRMASTER PROPELLER

PAGE 011F-06/916iS

#	DESCRIPTION	PART NUMBER	QUANTITY
1.	3 Blade Airmaster Propeller - Rotax 916iS *	KSPR0006	1

*Optional Prop

5/8/2024



**REPOINDERS S-21 OUTBOUND
 ROTAX 916iS
 OPTIONS - REMOTE CHARGING POST INSTALLATION**

MD5657
 REV. - ORIG

RANS S-21 OUTBOUND

ROTAX 916iS - OPTIONS - REMOTE CHARGING POST INSTALLATION

PAGE 011G-01/916iS

#	DESCRIPTION	PART NUMBER	QUANTITY
1.	3/16" Shear Nut - Steel	AN364-1032C	2
2.	3/16" Thin Washer	AN960-10L	2
3.	1/4" Plain Bolt	1/4 x 1 BOLT	1
4.	Isolator Block	KPES0026	1
5.	3/16" Bolt	AN3-7A	2
6.	1/4" Thick Washer	AN960-416	1
7.	1/4 Loc Washer	AN935-416L	1
8.	1/4 Plain Nut	AN345-416	1
9.	Remote Charge Post Cable	KAES0017	1
10.	Terminal Boot	MS25171-3S	1
11.	RTV High Temp Silicone *	----	0

*Builder Supplied

5/8/2024