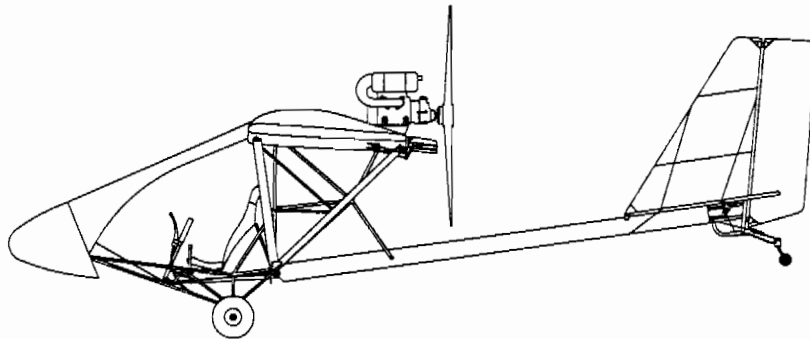
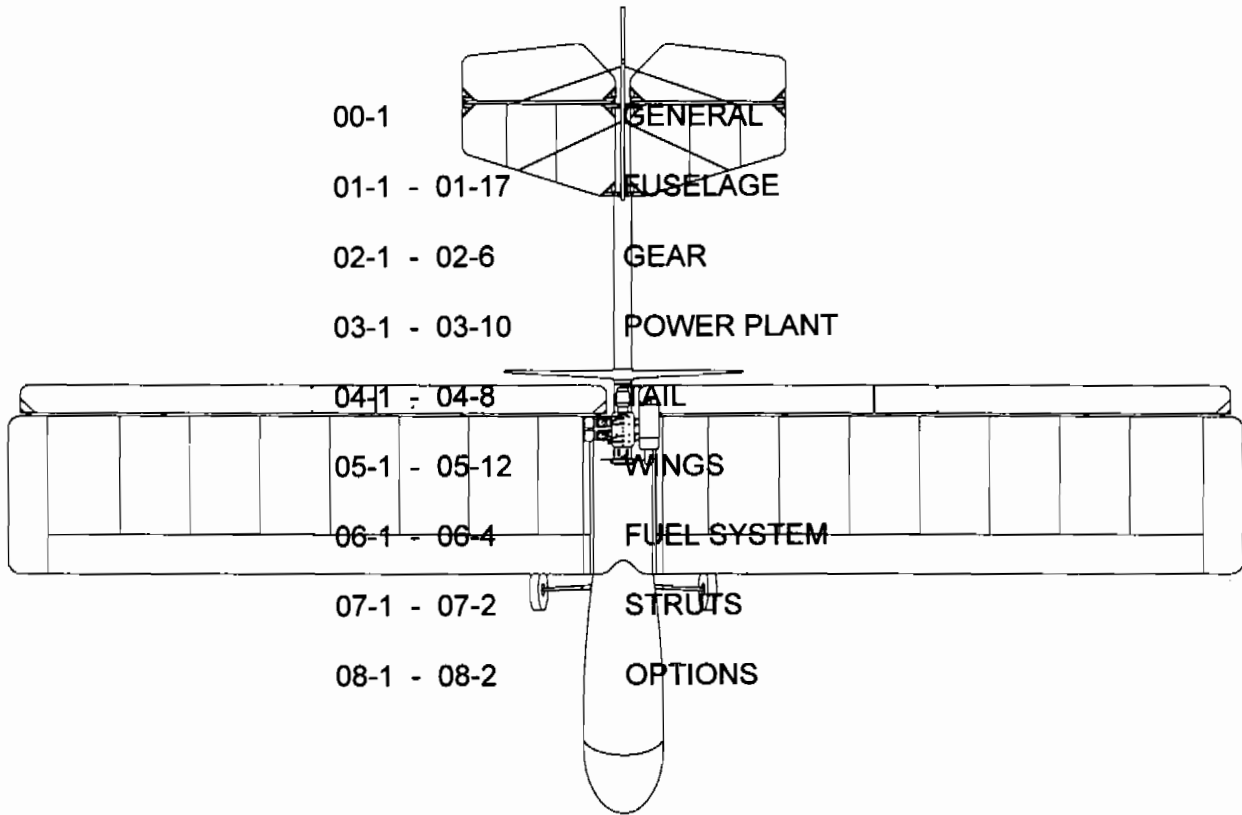




RANS S-17 STINGER

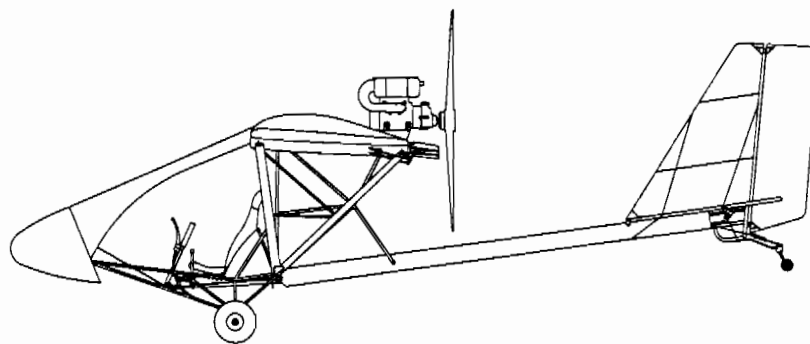
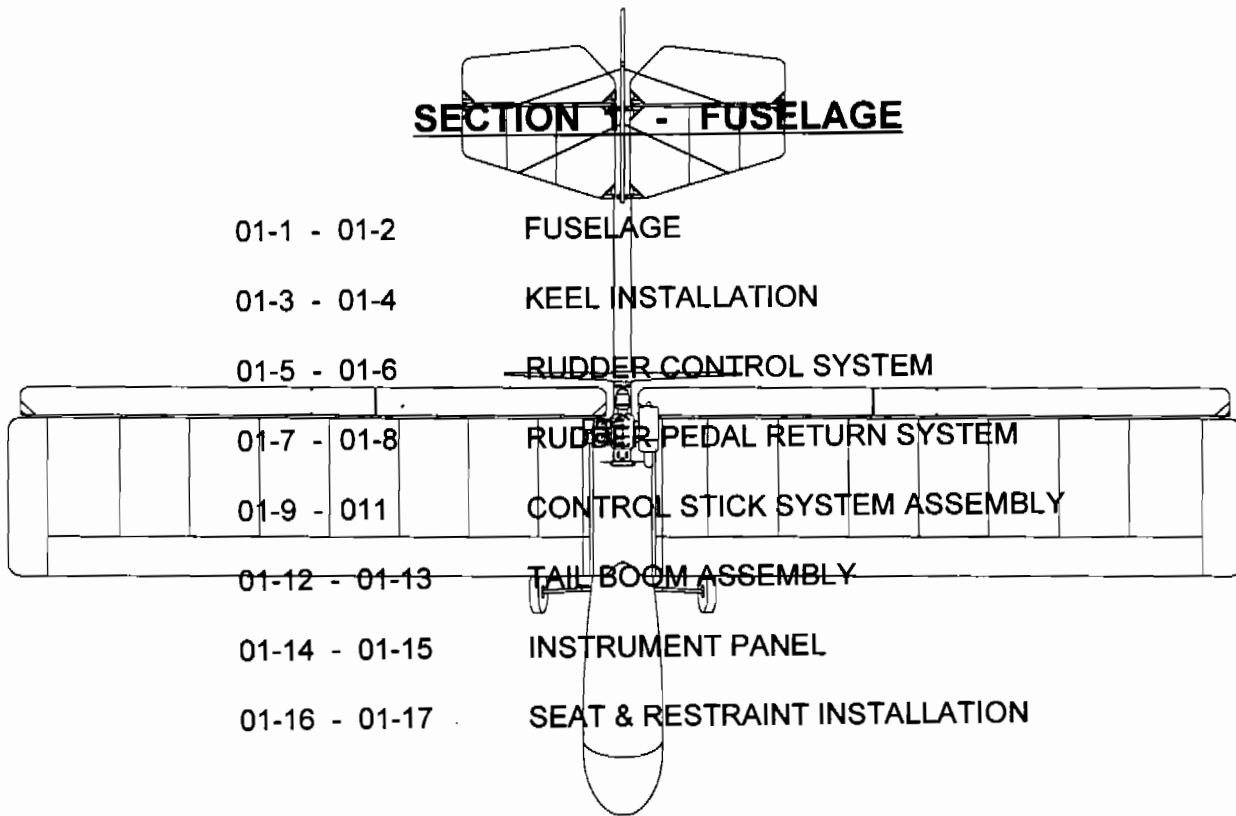
PARTS MANUAL



RANS S-17 STINGER

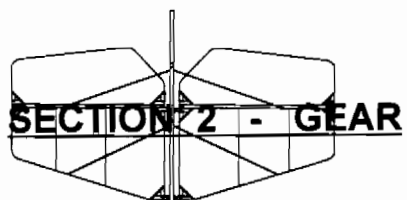
PARTS MANUAL

SECTION 17 - FUSELAGE



RANS S-17 STINGER

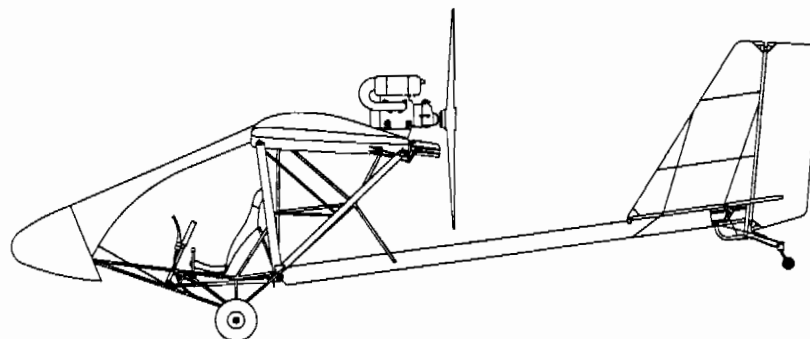
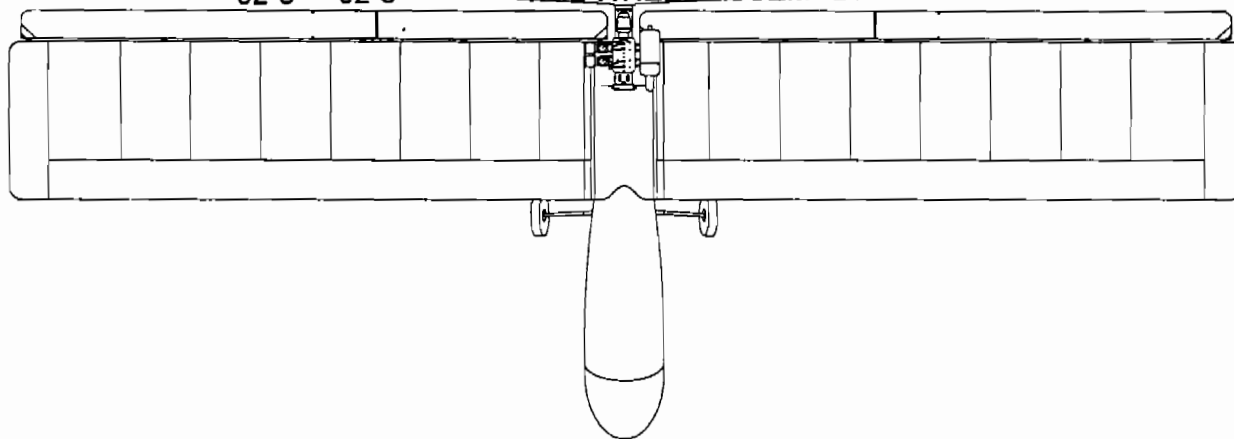
PARTS MANUAL



02-1 - 02-2 MAIN GEAR LEG & WHEEL ASSEMBLY & INSTALLATION

02-3 - 02-4 BRAKE SYSTEM ASSEMBLY

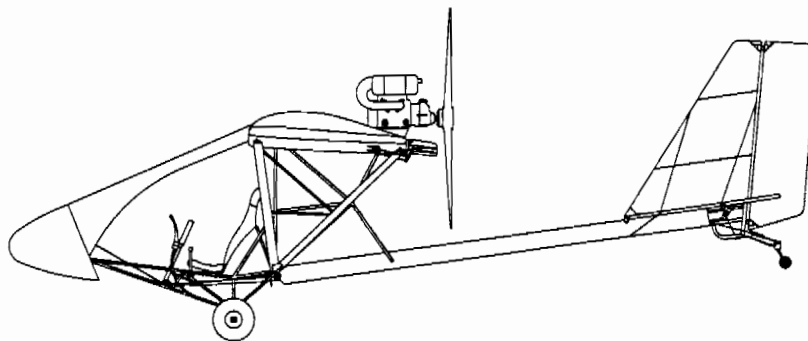
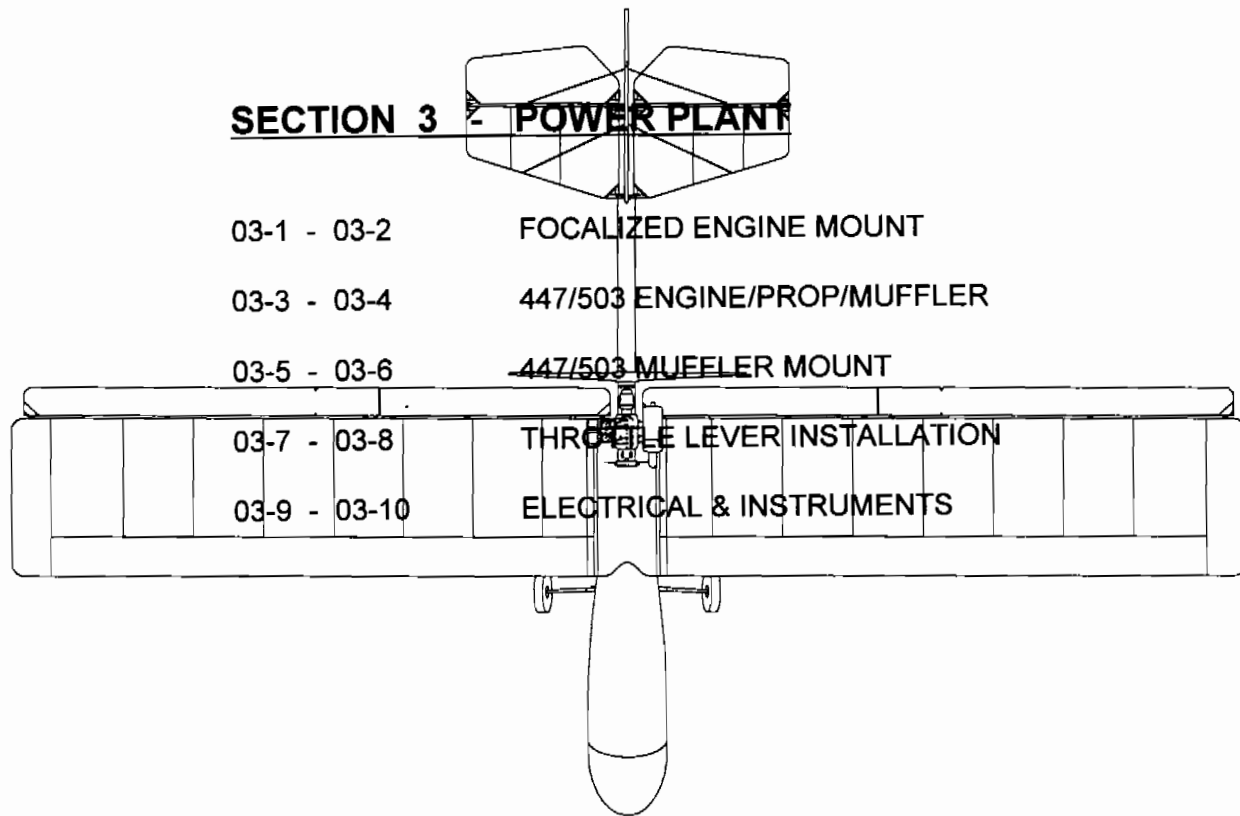
02-5 - 02-6 TAIL WHEEL ASSEMBLY



RANS S-17 STINGER

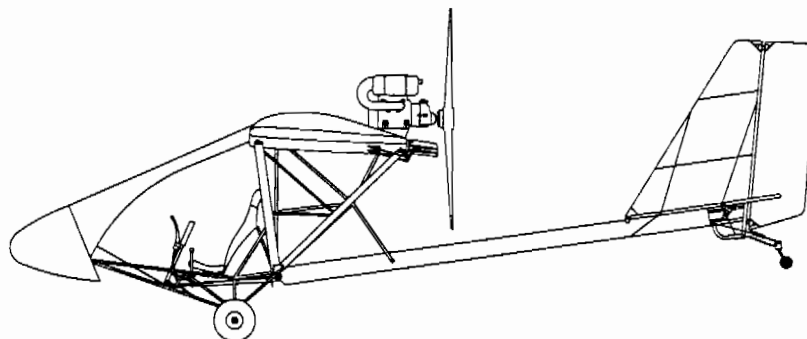
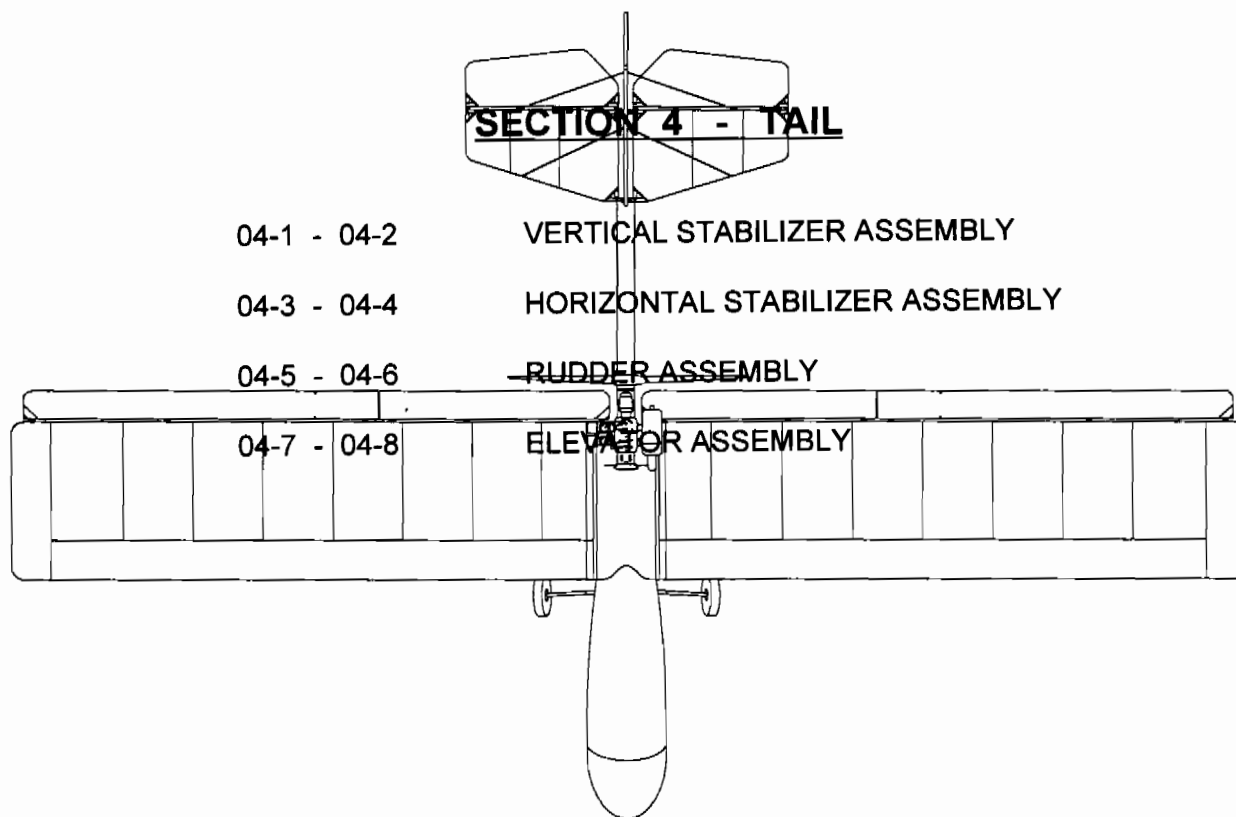
PARTS MANUAL

SECTION 3 - POWER PLANT



RANS S-17 STINGER

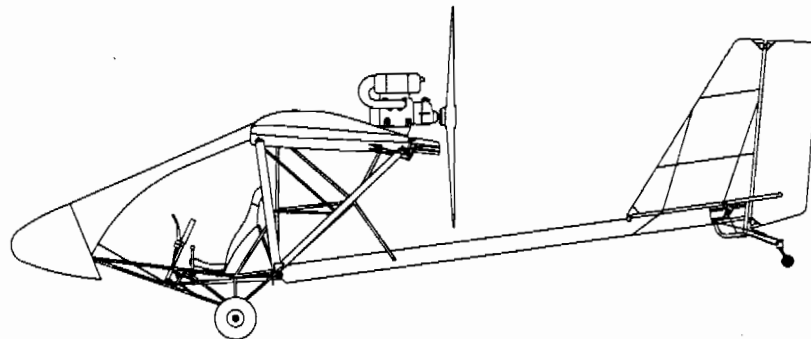
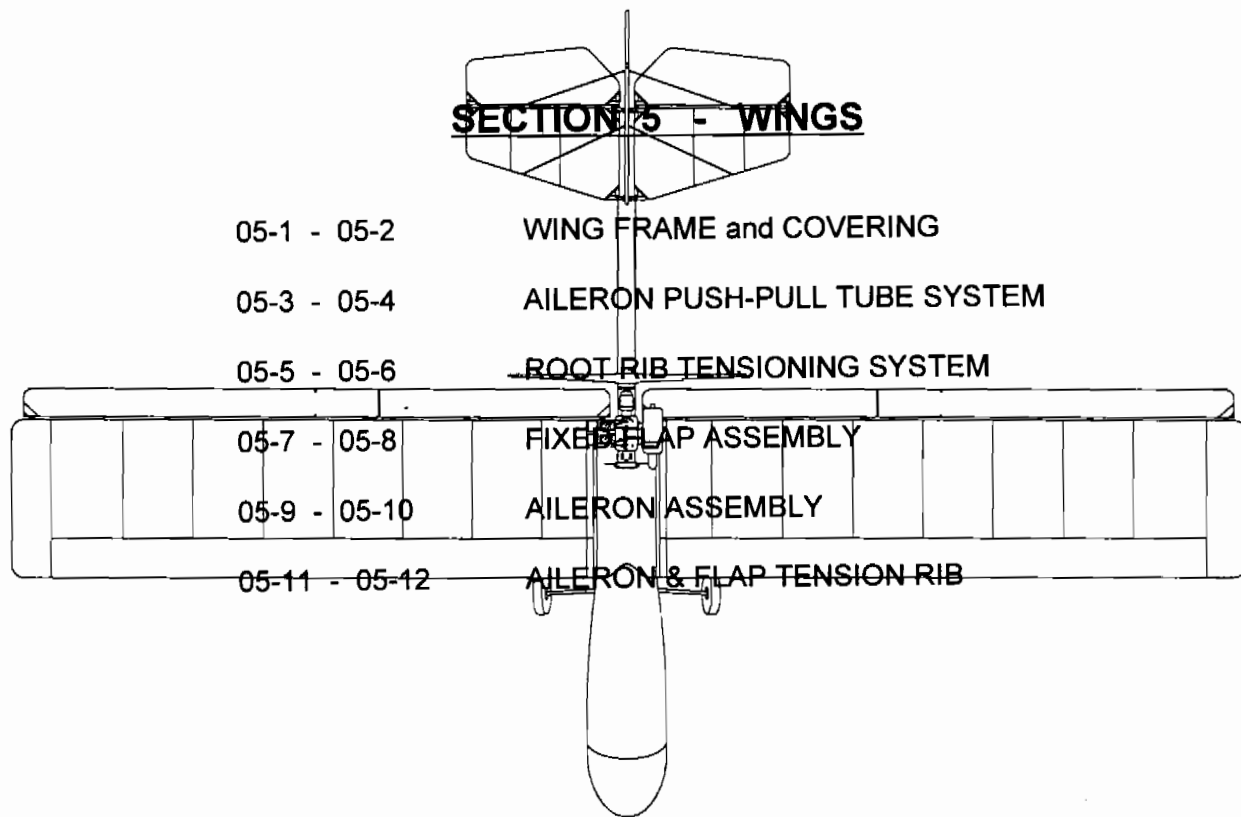
PARTS MANUAL



RANS S-17 STINGER

PARTS MANUAL

SECTION 5 - WINGS



RANS S-17 STINGER

PARTS MANUAL

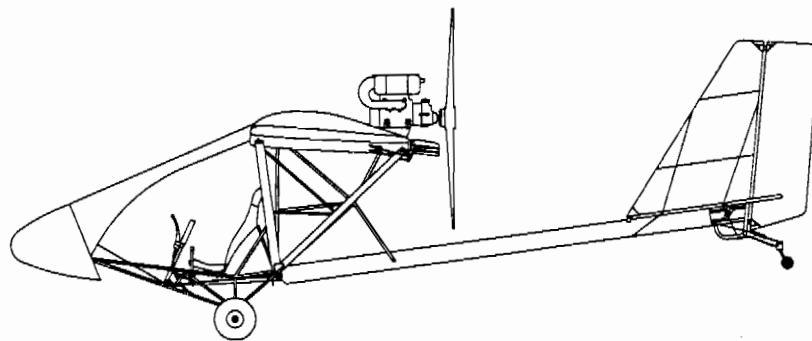
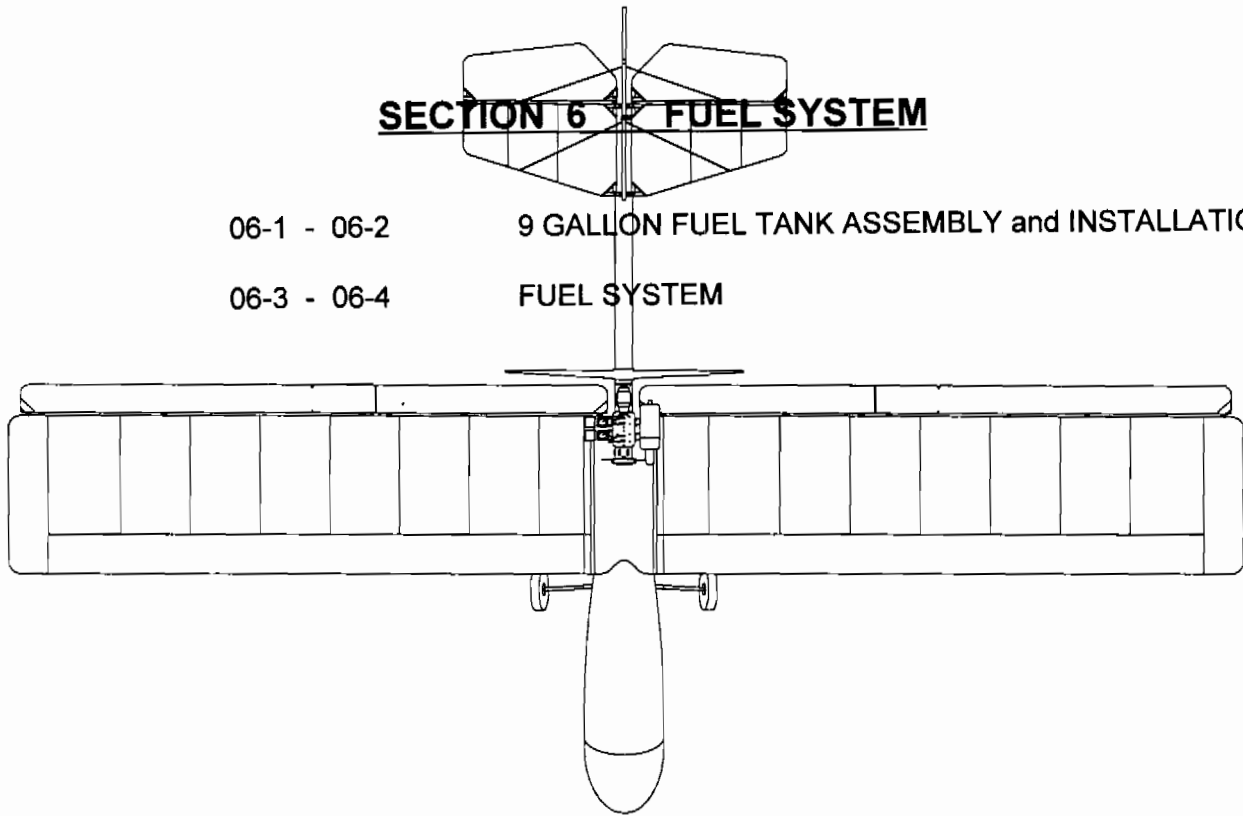
SECTION 6 FUEL SYSTEM

06-1 - 06-2

9 GALLON FUEL TANK ASSEMBLY and INSTALLATION

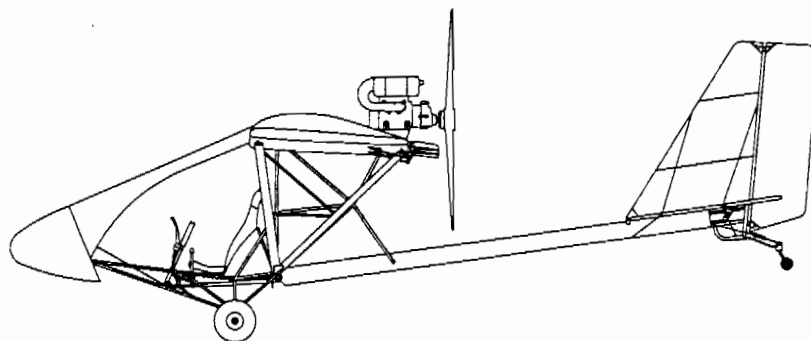
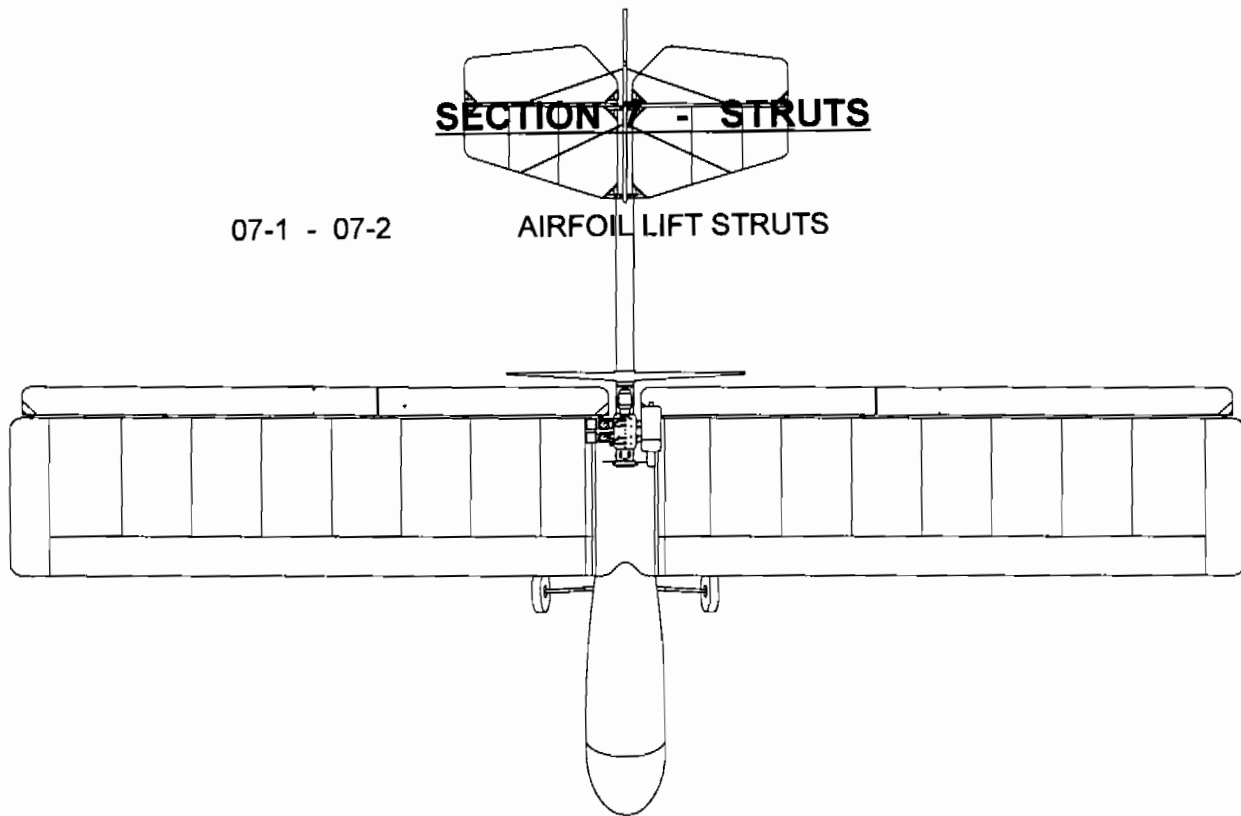
06-3 - 06-4

FUEL SYSTEM



RANS S-17 STINGER

PARTS MANUAL



RANS S-17 STINGER

PARTS MANUAL

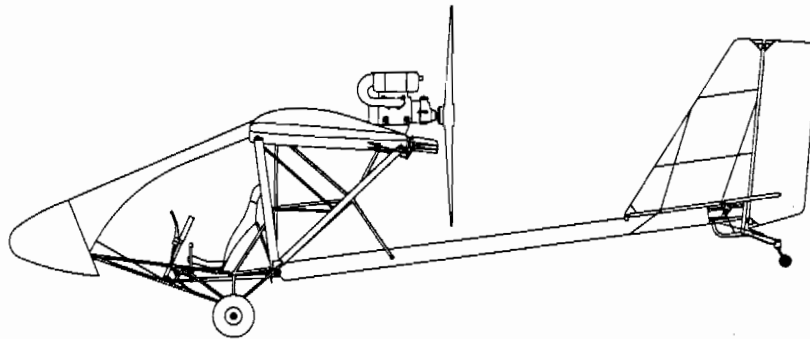
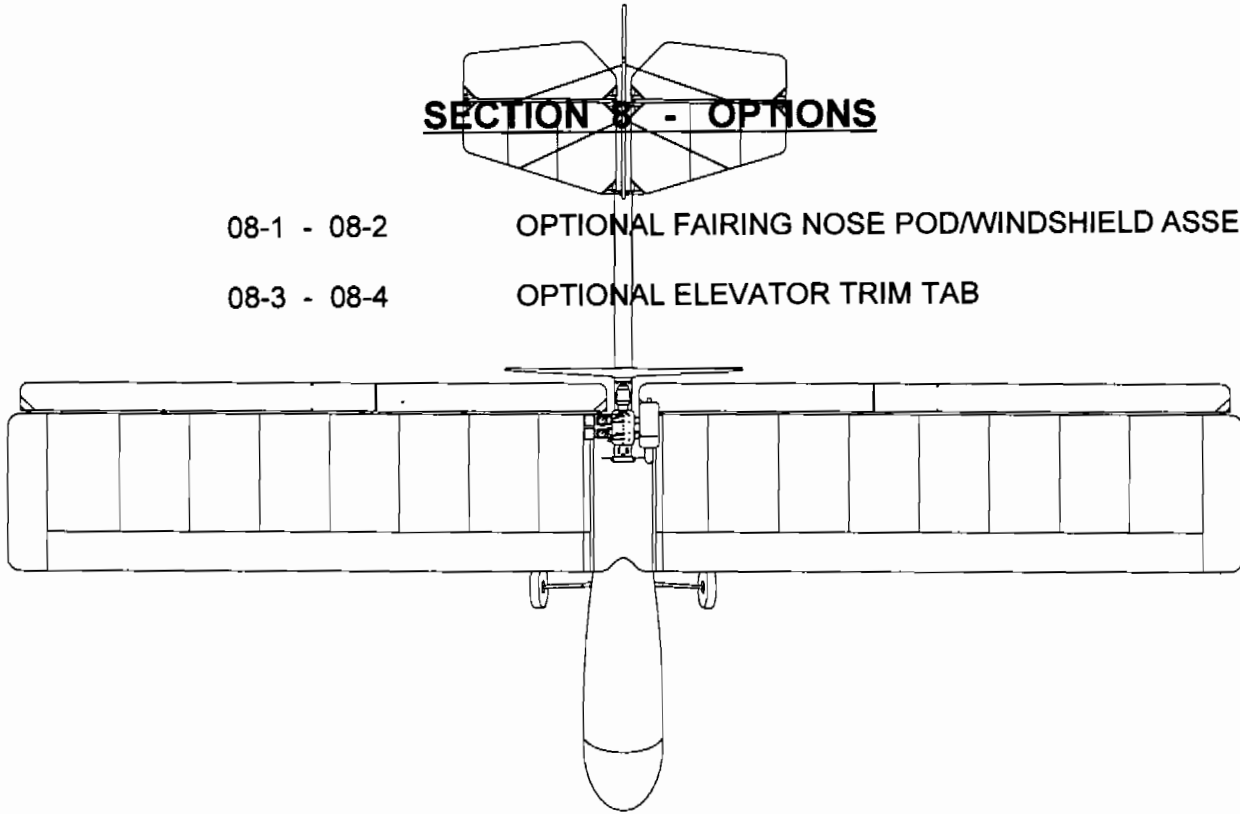
SECTION 8 - OPTIONS

08-1 - 08-2

OPTIONAL FAIRING NOSE POD/WINDSHIELD ASSEMBLY

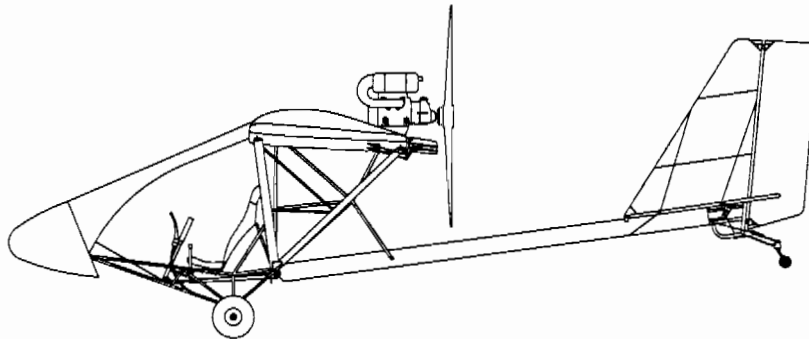
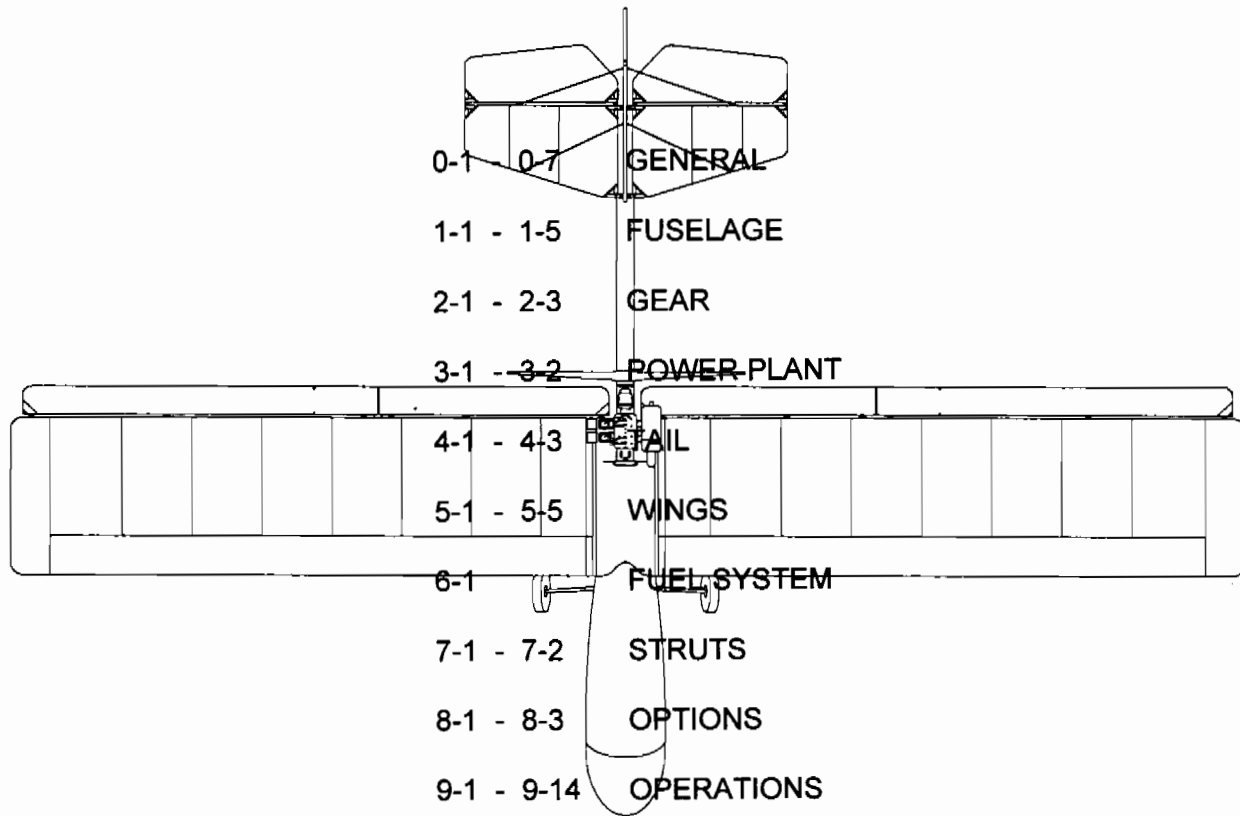
08-3 - 08-4

OPTIONAL ELEVATOR TRIM TAB



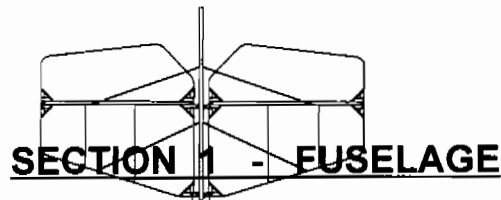
RANS S-17 STINGER

TEXT MANUAL

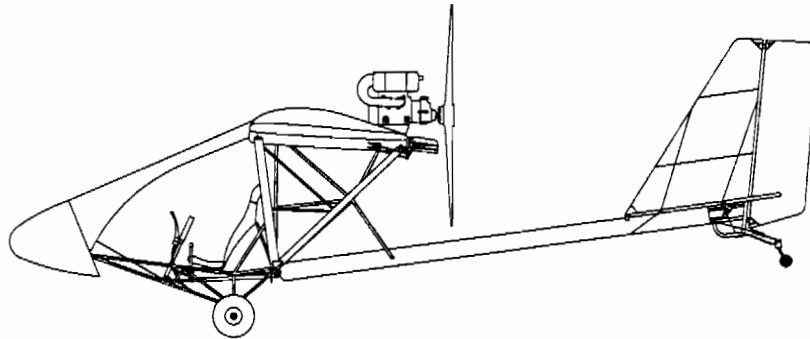


RANS S-17 STINGER

TEXT MANUAL

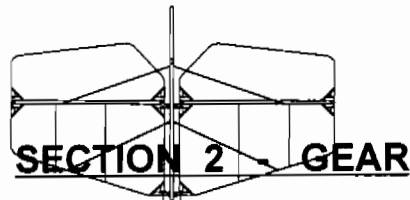


- 1-1 KEEL to FUSELAGE CAGE ASSEMBLY
- 1-1 - 1-2 RUDDER CONTROL SYSTEM ASSEMBLY and INSTALLATION
- 1-2 CONTROL STICK SYSTEM ASSEMBLY and INSTALLATION
- 1-3 TAIL BOOM ASSEMBLY and INSTALLATION
- 1-3 ELEVATOR YOKE and PUSH PULL TUBE INSTALLATION
- 1-3 AILERON CABLE INSTALLATION
- 1-4 INSTRUMENT PANEL INSTALLATION
- 1-4 SEAT and RESTRAINT INSTALLATION
- 1-4 CENTER COVER INSTALLATION
- 1-5 THROTTLE LEVER INSTALLATION



RANS S-17 STINGER

TEXT MANUAL



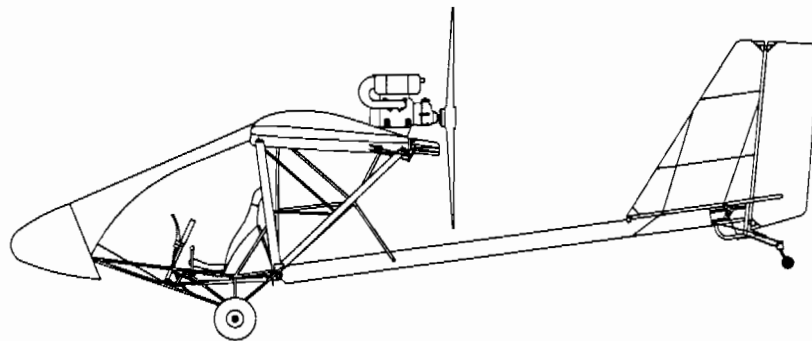
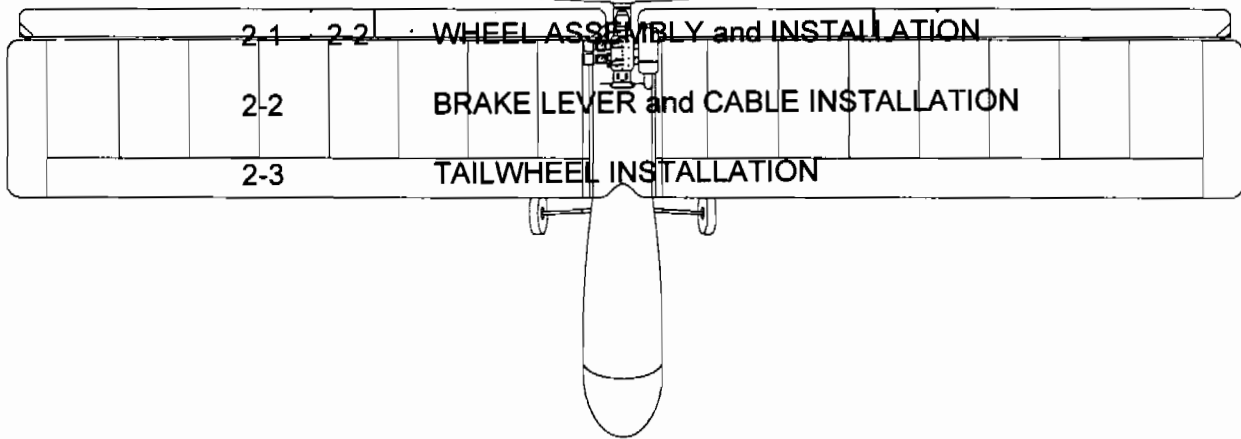
2-1 GEAR LEG INSTALLATION

2-1 BRAKE ASSEMBLY

2-1 2-2 WHEEL ASSEMBLY and INSTALLATION

2-2 BRAKE LEVER and CABLE INSTALLATION

2-3 TAILWHEEL INSTALLATION



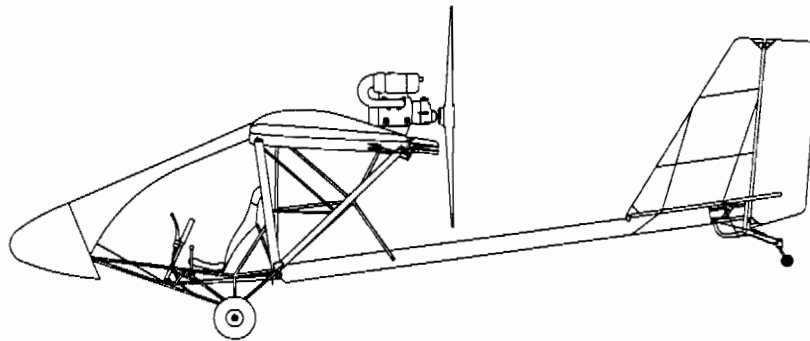
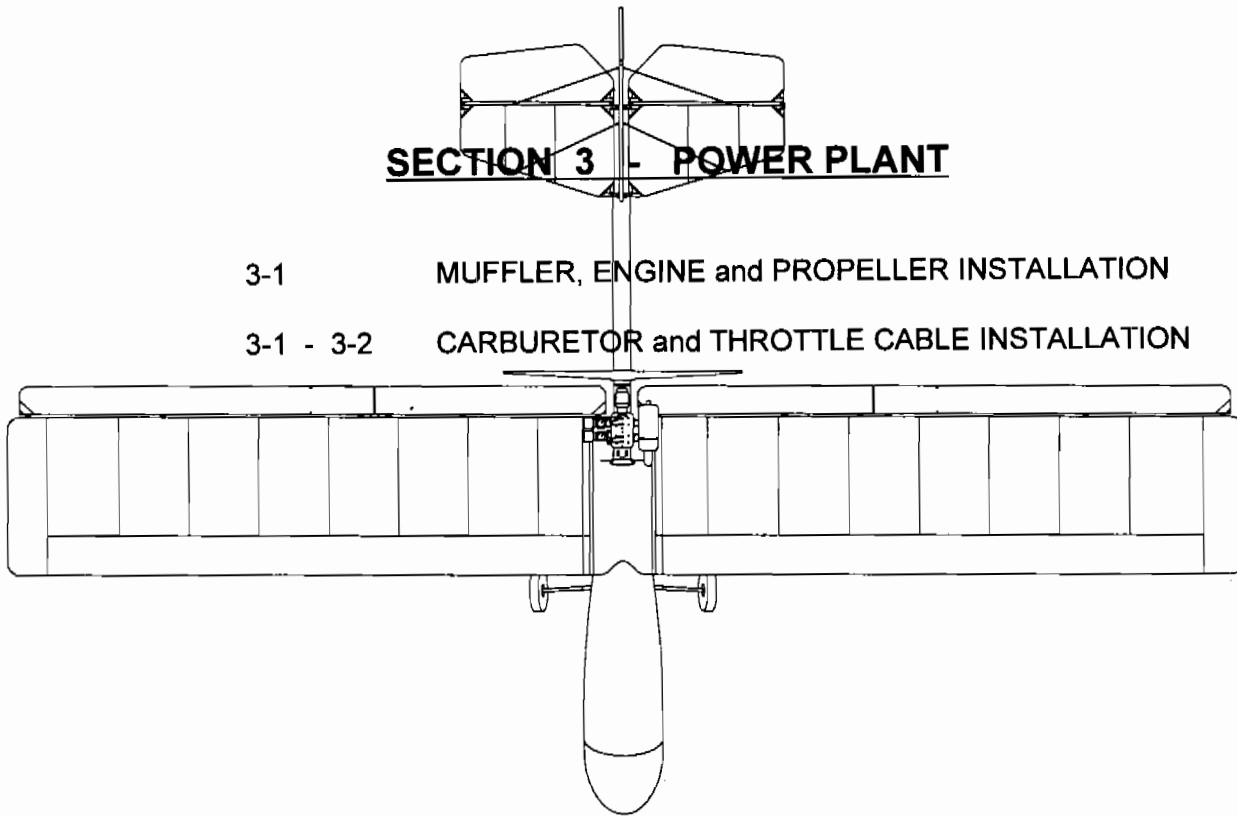
RANS S-17 STINGER

TEXT MANUAL

SECTION 3 - POWER PLANT

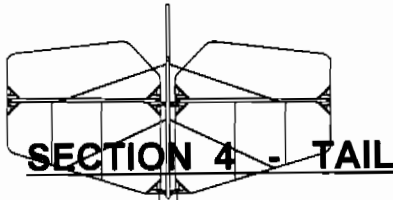
3-1 MUFFLER, ENGINE and PROPELLER INSTALLATION

3-1 - 3-2 CARBURETOR and THROTTLE CABLE INSTALLATION

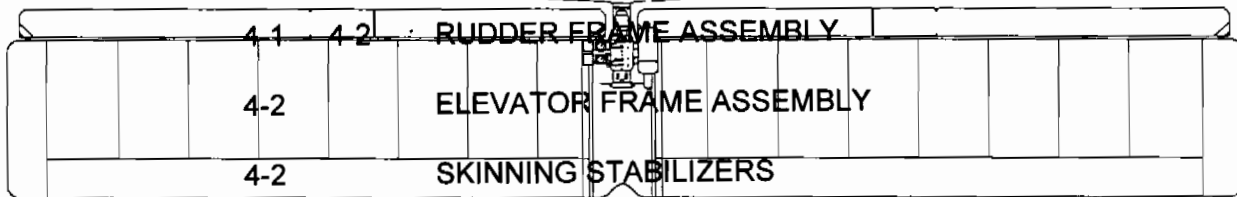


RANS S-17 STINGER

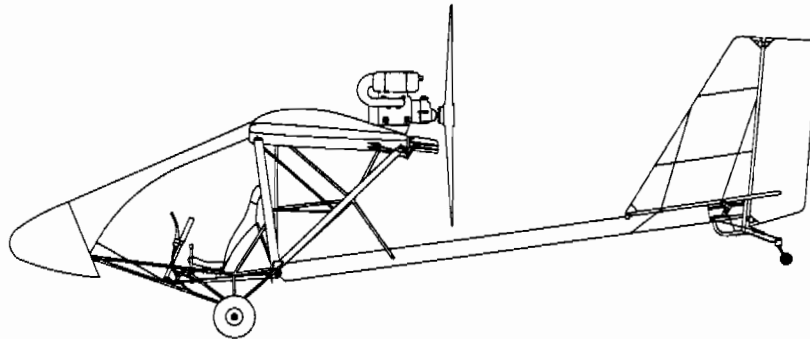
TEXT MANUAL



- 4-1 VERTICAL STABILIZER FRAME ASSEMBLY
- 4-1 HORIZONTAL STABILIZER FRAME ASSEMBLY

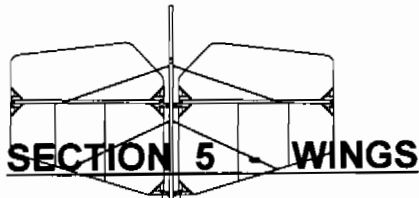


- 4-2 - 4-3 SKINNING RUDDER and ELEVATORS
- 4-3 STABILIZER INSTALLATION
- 4-3 RUDDER and ELEVATOR INSTALLATION



RANS S-17 STINGER

TEXT MANUAL



5-1 WING FRAME ASSEMBLY

5-1 - 5-2 FUEL TANK ASSEMBLY

5-2 FUEL TANK INSTALLATION

5-2 ROOT RIB INSTALLATION

5-2 - 5-3 FLAP and AILERON ASSEMBLY and SKINNING

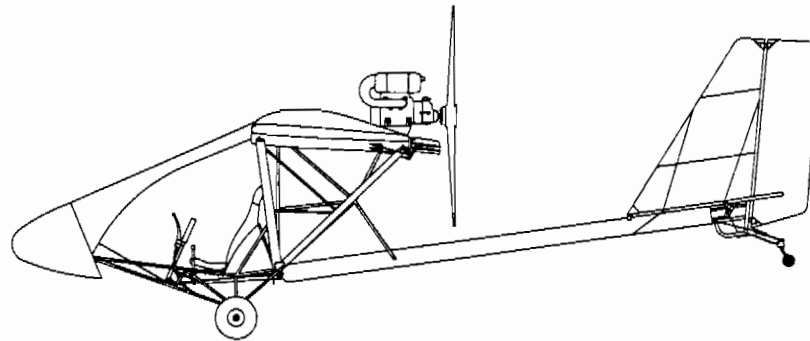
5-3 BELL CRANK ASSEMBLY and INSTALLATION

5-3 AILERON PUSH-PULL TUBE ASSEMBLY and INSTALLATION

5-4 FLAP and AILERON INSTALLATION

5-4 AILERON and FLAP RIGGING

5-4 - 5-5 WING SKINNING



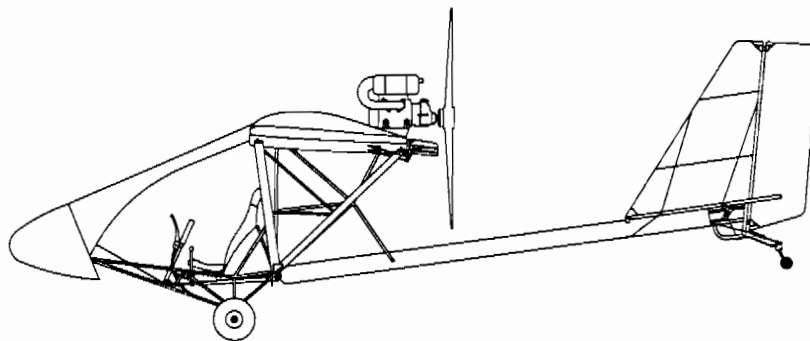
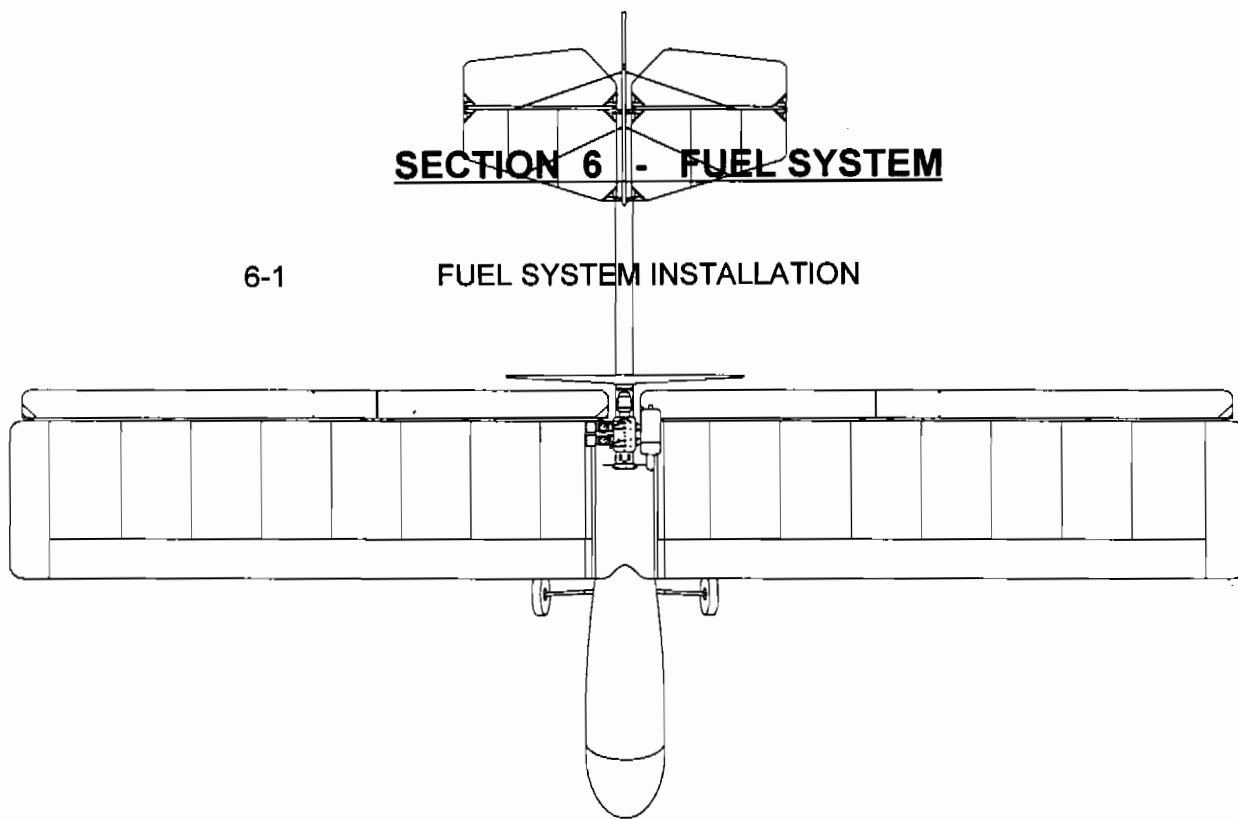
RANS S-17 STINGER

TEXT MANUAL

SECTION 6 - FUEL SYSTEM

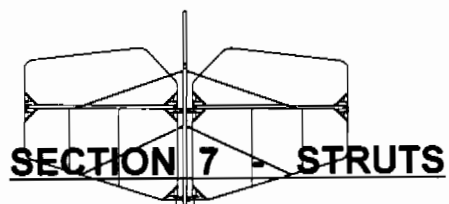
6-1

FUEL SYSTEM INSTALLATION



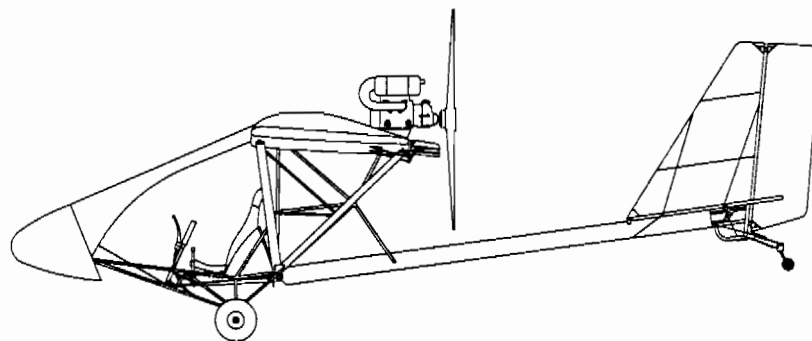
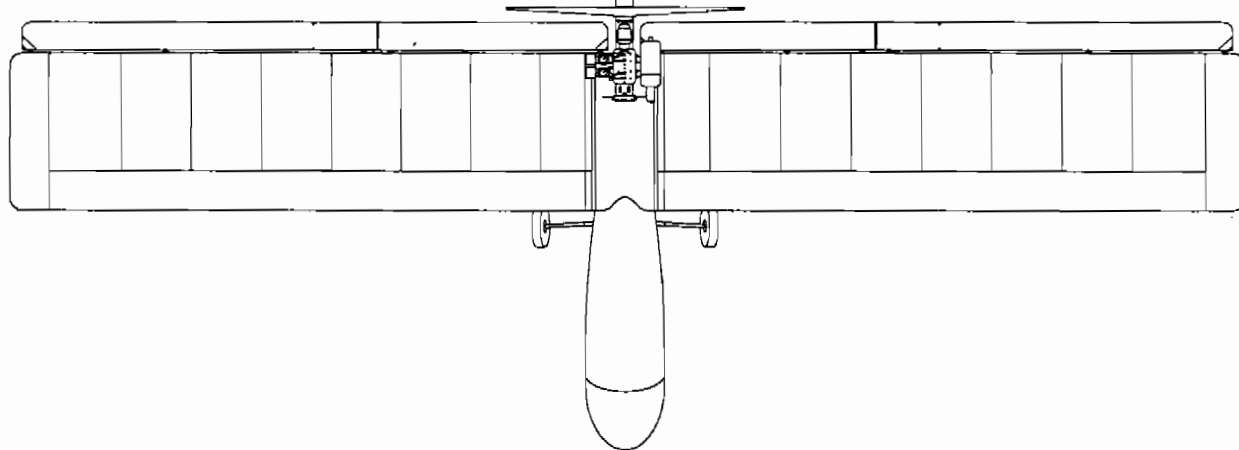
RANS S-17 STINGER

TEXT MANUAL



7-1 - 7-2 LIFT STRUT INSTALLATION

7-2 JURY STRUT INSTALLATION

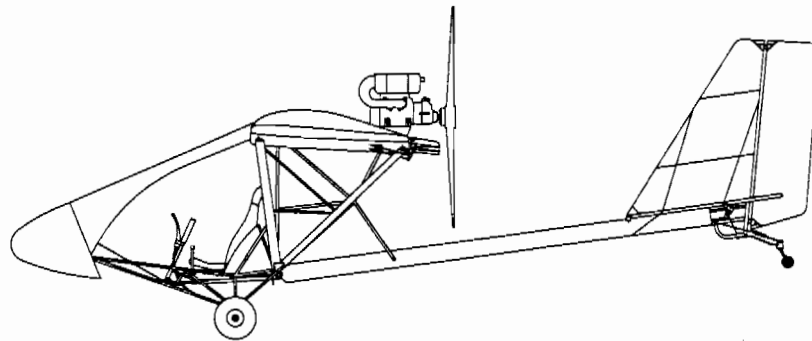
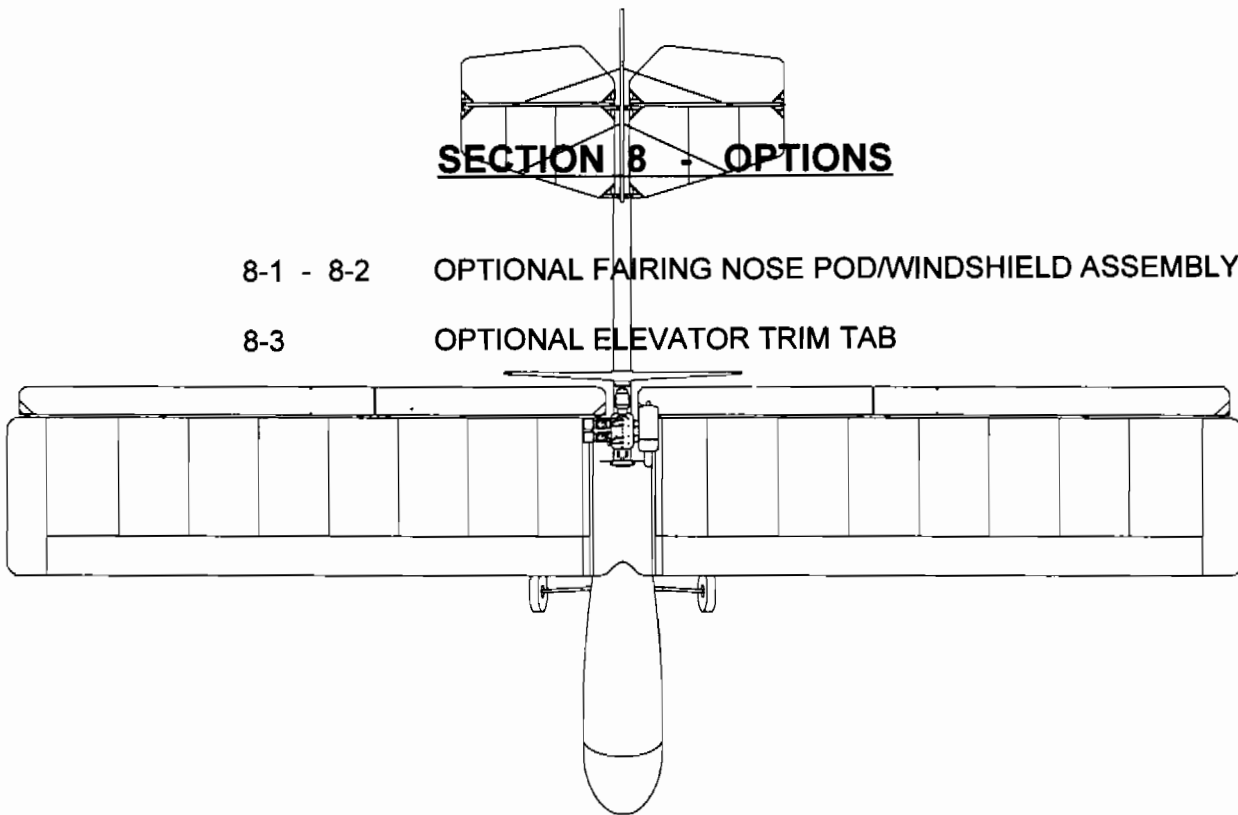


RANS S-17 STINGER

TEXT MANUAL

SECTION 8 - OPTIONS

- 8-1 - 8-2 OPTIONAL FAIRING NOSE POD/WINDSHIELD ASSEMBLY
- 8-3 OPTIONAL ELEVATOR TRIM TAB



RANS S-17 STINGER

TEXT MANUAL

SECTION 9 - OPERATIONS

9-1 - 9-3 CHECKING RIGGING and SYMMETRY

9-4 - 9-8 EAA GENERAL SAFETY CHECK LIST

9-9 WEIGHT & BALANCE

9-10 FINAL INSPECTION

9-10 - 9-11 CHECKING MAXIMUM STATIC RPM

9-11 PRE-FLIGHT CHECKLISTS and SAFETY

9-11 - 9-12 FLIGHT HANDLING CONSIDERATIONS

9-12 FLYING THE STINGER

9-13 FINE TUNING RIGGING

9-13 AIRFRAME MAINTENANCE

9-14 ENCLOSED TRAILERS

9-14 OPEN TRAILERS

9-14 CORROSION and WASHING YOUR PLANE

